


Product description	
Product type	Insert
Series	CQ
Connection type	Crimp connection
Gender	Male
N. of poles	5 poles + 
Size	Size "21.21"

Technical data	
Current	16 A
Voltage	230 - 400 V
Rated impulse withstand voltage	4 kV
Pollution degree	3
Rated voltage according to UL/CSA	600 V
IP degree of protection	IP20 without enclosure, IP44/IP66/IP67/IP68/IP69 with enclosure

Further technical details	
Characteristics according to EN 61984	16A 230/400V 4kV 3; 16A 320/500V 4kV 2
Mating cycles	≥ 500
Insulation resistance	≥ 10 GΩ
Contact resistance	≤ 1 mΩ
Weight	12,70 g
Operating temperature range (min, max)	-40 °C ... +125 °C
UL 94 flammability rating	V-0
Tightening torque for PE connection	M3: 0,5 Nm; 4,4 lb.in (0,5 x 3 mm)
Tightening torque for fixing screws	M3: 0,5 Nm; 4,4 lb.in (Ph1 or 0,8 x 5,5 mm)

Material properties	
Main material	Polycarbonate (PC)
Other materials	Gasket: NBR
Colour	RAL 7032 grey
RoHs conformity	Compliant with exemption 6(c): copper alloy containing up to 4% lead by weight
China RoHs - EFUP	50
REACH SVHC substances	Yes Lead

Approvals / Standards	
Reference standard	EN 61984:2009-06
Certifications	CSA, CQC, DNV-GL, BV, EAC
UL	ECBT2, PVVA2
cUL	ECBT8, PVVA8

General ordering information	
EAN13 code	8015747037310
eCl@ss 8.1	27440205
ETIM 7.0	EC000438

Packaging Information	
Packaging length	220,00 mm
Packaging height	130,00 mm
Packaging width	240,00 mm
Packaging weight	2,86 kg
Packaging volume	6,86 dm ³
Packaging description	Carton box
Packaging quantity	200 Pcs
Packaging EAN code	8015747208925
Sub-packaging length	197,00 mm
Sub-packaging height	35,00 mm
Sub-packaging width	113,00 mm
Sub-packaging weight	0,57 kg
Sub-packaging volume	0,78 dm ³
Sub-packaging description	Carton tray
Sub-packaging quantity	40 Pcs
Sub-packaging EAN barcode	8015747037327

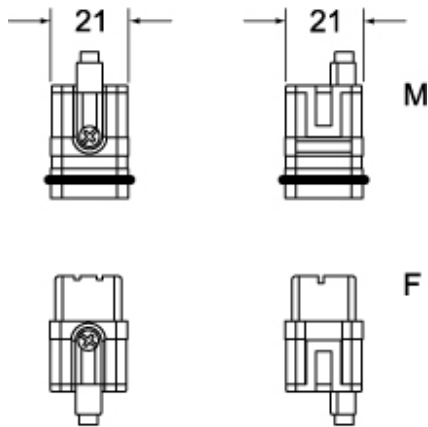
Part number

CQM 05

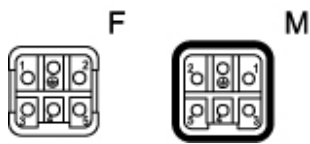


Catalogue drawings

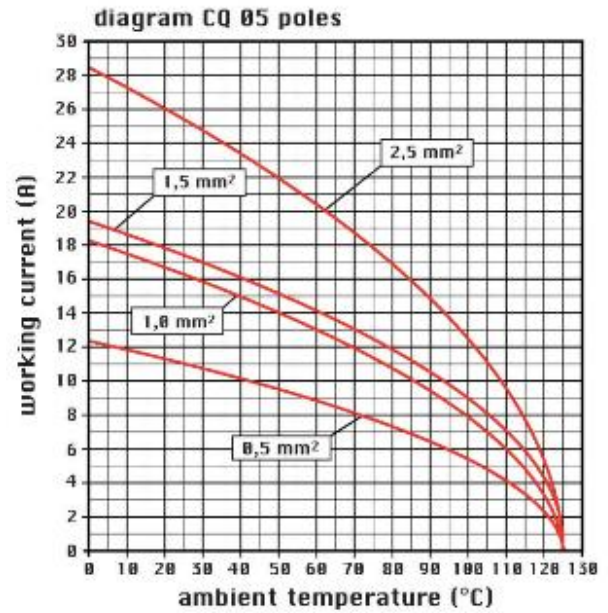
CQM 05



CQF 05



Catalogue drawings



Notes

Dimensions shown in mm are not binding and may be changed without notice.