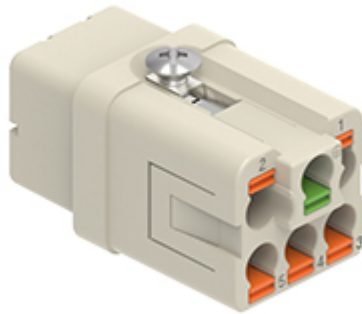



Part number  
**CQYF 05**



Female insert, CQY series, AXYR® spring push-in terminal connection without tools, 5 poles + PE, 16 A 230/400 V 4 kV 3, size "21.21"

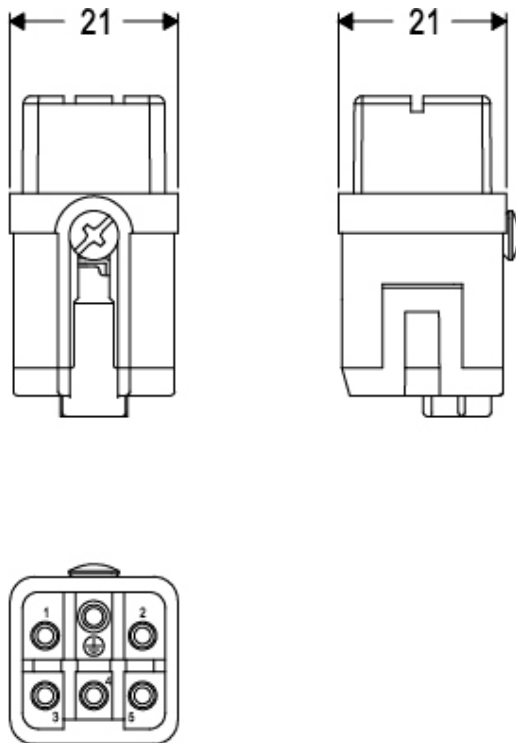
Product description	
<b>Product type</b>	Insert
<b>Series</b>	CQY
<b>Connection type</b>	AXYR® high density spring terminal connection without tools
<b>Gender</b>	Female
<b>N. of poles</b>	5 poles + 
<b>Size</b>	Size "21.21"
Technical data	
<b>Current</b>	16 A
<b>Voltage</b>	230 - 400 V
<b>Rated impulse withstand voltage</b>	4 kV
<b>Pollution degree</b>	3
<b>Rated voltage according to UL/CSA</b>	600 V
<b>Wire cross-section</b>	0,25 mm <sup>2</sup> - 4,00 mm <sup>2</sup>
<b>AWG size</b>	24 - 14
<b>Contact type</b>	Turned silver plated
<b>IP degree of protection</b>	IP20 without enclosure, IP44/IP66/IP67/IP68/IP69 with enclosure
Further technical details	
<b>Characteristics according to EN 61984</b>	16 A 230/400 V 4 kV 3; 16 A 320/500V 4 kV 2
<b>Mating cycles</b>	≥ 500
<b>Insulation resistance</b>	≥ 10 GΩ
<b>Contact resistance</b>	≤ 3 mΩ
<b>Weight</b>	21,50 g
<b>Operating temperature range (min, max)</b>	-40 °C ... +125 °C
<b>Conductors stripping length</b>	9...11 mm
<b>UL 94 flammability rating</b>	V-0

Material properties	
<b>Main material</b>	Polycarbonate (PC)
<b>Other materials</b>	Contacts: copper alloy
<b>Colour</b>	RAL 7032 grey
<b>RoHs conformity</b>	Compliant with exemption 6(c): copper alloy containing up to 4% lead by weight
<b>China RoHs - EFUP</b>	50
<b>REACH SVHC substances</b>	Yes Lead
Approvals / Standards	
<b>Certifications</b>	DNV
General ordering information	
<b>EAN13 code</b>	8015747284677
<b>eCl@ss 8.1</b>	27440205
<b>ETIM 7.0</b>	EC000438
Packaging Information	
<b>Packaging length</b>	280,00 mm
<b>Packaging height</b>	170,00 mm
<b>Packaging width</b>	185,00 mm
<b>Packaging weight</b>	2,54 kg
<b>Packaging volume</b>	8,81 dm <sup>3</sup>
<b>Packaging description</b>	Carton box
<b>Packaging quantity</b>	100 Pcs
<b>Packaging EAN code</b>	8015747183406
<b>Sub-packaging weight</b>	0,03 kg
<b>Sub-packaging description</b>	Plastic bag
<b>Sub-packaging quantity</b>	1 Pcs
<b>Sub-packaging EAN barcode</b>	8015747284691

Part number  
**CQYF 05**

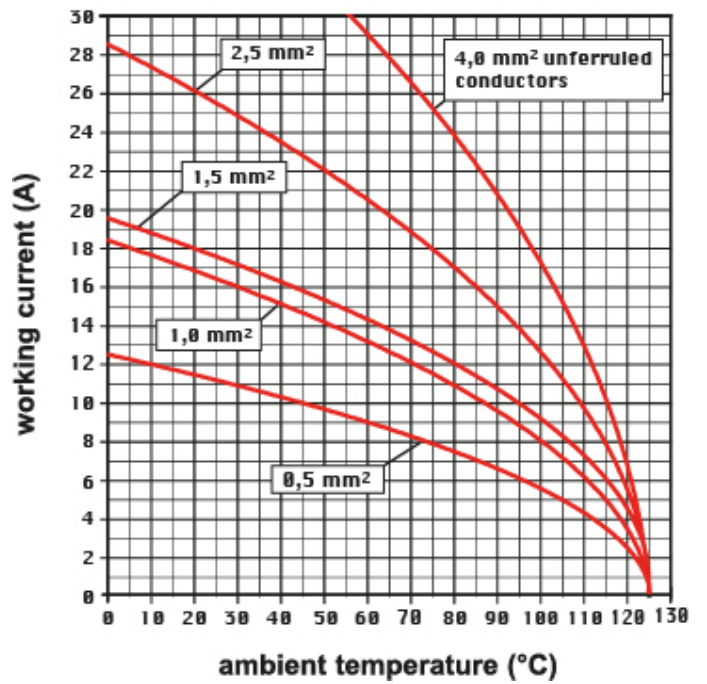


Catalogue drawings



Derating curves

**CQY 5 poles connector inserts**  
**Maximum current load derating diagram**



Notes

Dimensions shown in mm are not binding and may be changed without notice.

inserts for wires with the following cross-sectional areas:  
0,25 - 4 mm<sup>2</sup> (24 - 12 AWG)  
for prepared wires useable section:  
0,25 - 2,5 mm<sup>2</sup> (24 - 14 AWG)