


Part number

CQYF 08E



Female insert, CQY series, AXYR® spring push-in terminal connection without tools, 8 poles + PE, 16 A 500 V 6 kV 3, size "32.13", with PE plate

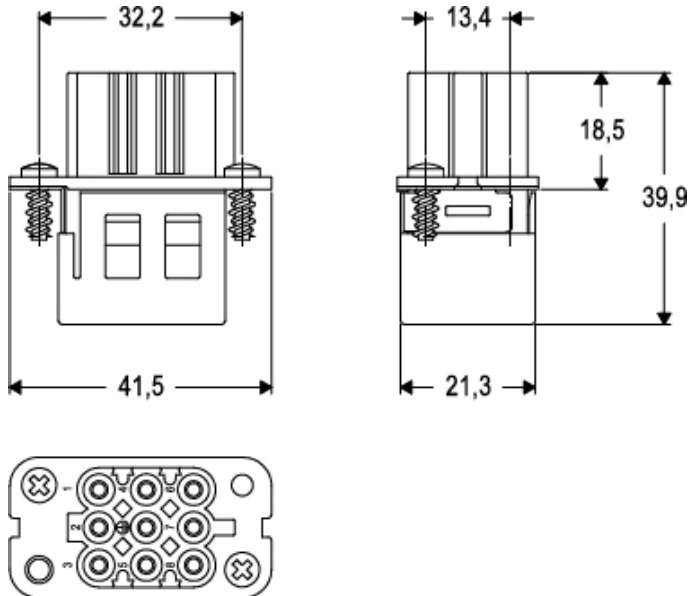
| Product description | | Material properties | |
|---|--|----------------------------------|--|
| Product type | Insert | Main material | Polycarbonate (PC) |
| Series | CQY | Other materials | Contacts: copper alloy |
| Connection type | AXYR® high density spring terminal connection without tools | Colour | RAL 7032 grey |
| Gender | Female | RoHs conformity | Compliant with exemption 6(c): copper alloy containing up to 4% lead by weight |
| N. of poles | 8 poles +  | China RoHs - EFUP | 50 |
| Size | Size "32.13" | REACH SVHC substances | Yes Lead |
| Specification | With PE plate | | |
| Technical data | | Approvals / Standards | |
| Current | 16 A | Certifications | DNV |
| Voltage | 500 V | | |
| Rated impulse withstand voltage | 6 kV | General ordering information | |
| Pollution degree | 3 | EAN13 code | 8015747284615 |
| Rated voltage according to UL/CSA | 600 V | eCl@ss 8.1 | 27440205 |
| Wire cross-section | 0,25 mm ² - 4,00 mm ² | ETIM 7.0 | EC000438 |
| AWG size | 24 - 12 | | |
| Contact type | Turned silver plated | Packaging Information | |
| IP degree of protection | IP20 without enclosure, IP66/IP67/IP69 with enclosure | Packaging length | 245,00 mm |
| | | Packaging height | 165,00 mm |
| | | Packaging width | 215,00 mm |
| | | Packaging weight | 1,87 kg |
| | | Packaging volume | 8,69 dm ³ |
| | | Packaging description | Carton box |
| | | Packaging quantity | 50 Pcs |
| | | Packaging EAN code | 8015747284639 |
| | | Sub-packaging weight | 0,04 kg |
| | | Sub-packaging description | Plastic bag |
| | | Sub-packaging quantity | 1 Pcs |
| | | Sub-packaging EAN barcode | 8015747139878 |
| Further technical details | | | |
| Characteristics according to EN 61984 | 16 A 500 V 6 kV 3; 16 A 400/690 V 8 kV 2 | | |
| Mating cycles | ≥ 500 | | |
| Insulation resistance | ≥ 10 GΩ | | |
| Contact resistance | ≤ 3 mΩ | | |
| Weight | 31,00 g | | |
| Operating temperature range (min, max) | -40 °C ... +125 °C | | |
| Conductors stripping length | 9...11 mm | | |
| UL 94 flammability rating | V-0 | | |

Part number

CQYF 08E

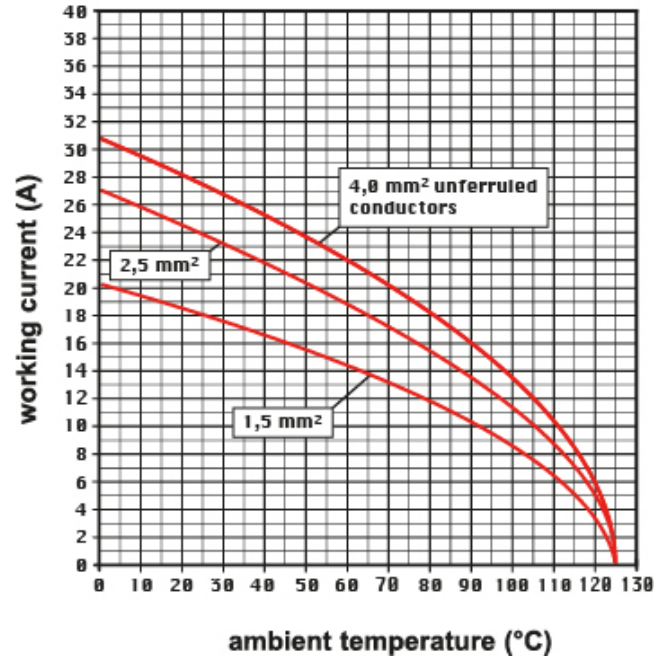


Catalogue drawings



Derating curves

CQY..E 8 poles connector inserts
Maximum current load derating diagram



Notes

Dimensions shown in mm are not binding and may be changed without notice.

inserts for wires with the following cross-sectional areas:

0,25 - 4 mm² (24 - 12 AWG)

for prepared wires useable section:

0,25 - 2,5 mm² (24 - 14 AWG)