

Part number
CSSM 06



Male insert, CSS series, dual spring terminal connection, 6 poles + PE, 16 A 500 V 6 kV 3, size "44.27"

Product description		Material properties	
Product type	Insert	Main material	Polycarbonate (PC)
Series	CSS	Other materials	Contacts: copper alloy
Connection type	Dual spring terminal connection	Colour	RAL 7032 grey
Gender	Male	RoHs conformity	Compliant with exemption 6(c): copper alloy containing up to 4% lead by weight
N. of poles	6 poles +	China RoHs - EFUP	50
Size	Size 44.27	REACH SVHC substances	Yes Lead
Technical data		SCIP number	1a9c93ff-0445-4a16-81e3-1609ac5274d6
Current	16 A	Approvals / Standards	
Voltage	500 V	Reference standard	EN 61984:2009-06
Rated impulse withstand voltage	6 kV	Certifications	CSA, CQC, DNV, BV, EAC
Pollution degree	3	UL	ECBT2
Rated voltage according to UL/CSA	600 V	General ordering information	
Wire cross-section	0,14 mm ² - 2,50 mm ²	EAN13 code	8015747115797
AWG size	26 - 14	eCl@ss 8.1	27440205
Contact type	Turned silver plated	ETIM 7.0	EC000438
IP degree of protection	IP20 without enclosure, IP65/IP66/IP68/IP69 with enclosure	Packaging Information	
Further technical details		Packaging length	240,00 mm
Characteristics according to EN 61984	16A 500V 6kV 3; 16A 400/690V 6kV 2	Packaging height	220,00 mm
Mating cycles	≥ 500	Packaging width	210,00 mm
Insulation resistance	≥ 10 GΩ	Packaging weight	4,02 kg
Contact resistance	≤ 3 mΩ	Packaging volume	11,09 dm ³
Weight	61,70 g	Packaging description	Carton box
Operating temperature range (min, max)	-40 °C ... +125 °C	Packaging quantity	60 Pcs
Conductors stripping length	9...11 mm	Packaging EAN code	8015747215671
UL 94 flammability rating	V-0	Sub-packaging length	197,00 mm
		Sub-packaging height	44,00 mm
		Sub-packaging width	113,00 mm
		Sub-packaging weight	0,67 kg
		Sub-packaging volume	0,98 dm ³
		Sub-packaging description	Carton tray
		Sub-packaging quantity	10 Pcs
		Sub-packaging EAN barcode	8015747115865

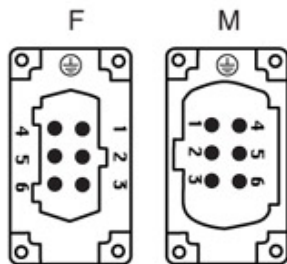
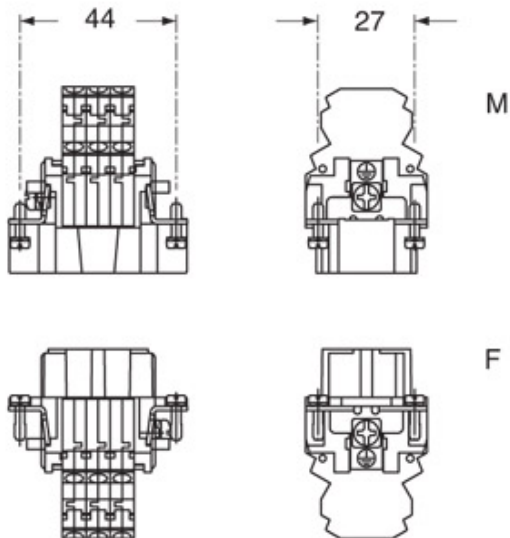
Part number

CSSM 06

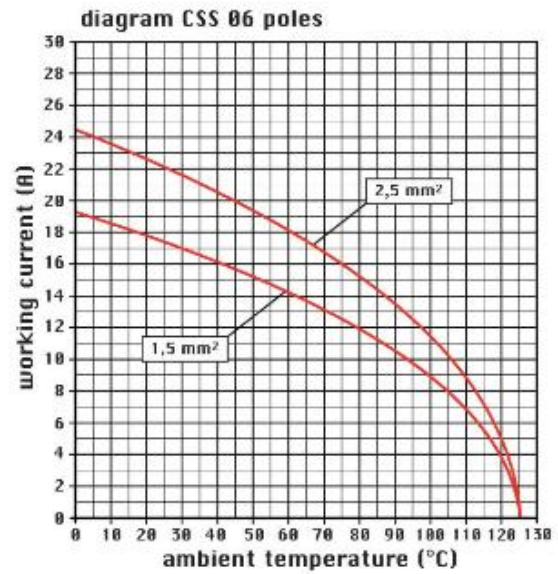


Catalogue drawings

CSSF / CSSM 06



Catalogue drawings



Notes

CSSF/M 06 inserts:

- can be mated with CNE, CSE, CCE, CTE, CTSE, CSH inserts

- characteristics according to EN 61984:

16A 500V 6kV 3

16A 400/690V 6kV 2

- rated voltage according to UL/CSA: 600V

- insulation resistance: > 10 GOhm

- ambient temperature limit: -40 °C ... +125 °C

- are made of self-extinguishing thermoplastic resin UL 94 V0

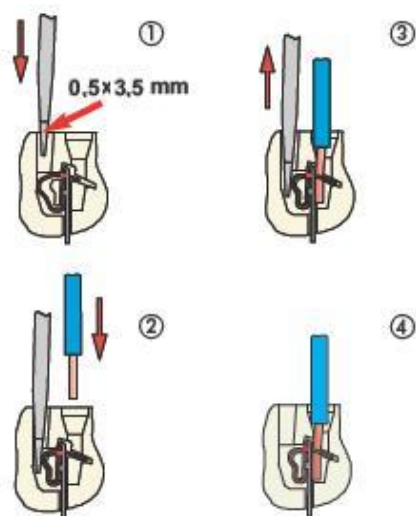
- mechanical life: > 500 cycles

- contact resistance: < 3 mOhm

- enclosures: size "44.27":

C-TYPE IP65/IP66
C7 IP67 stainless steel lever
V-TYPE IP65/IP66
stainless steel lever
T-TYPE IP65 insulating
JEl zinc-plated steel lever
BIG hoods
W-TYPE aggressive environments
EMC
central lever
IP68
- panel supports: COB

Dimensions shown in mm are not binding and may be changed without notice.



California Proposition 65 Information



WARNING

This product can expose you to lead and its compounds, known to the State of California to cause cancer and/or reproductive toxicity. For more information go to www.P65Warnings.ca.gov.
