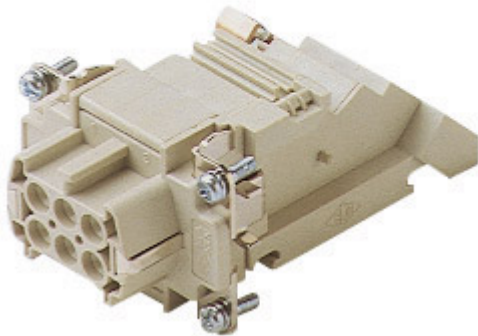



Part number

CTSEF 06 L



Female insert, CTSE series, spring terminal connection, 6 poles + PE, 16 A 500 V 6 kV 3, size "44.27", with incorporated terminal block, left side mounting

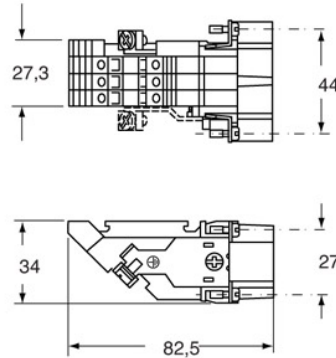
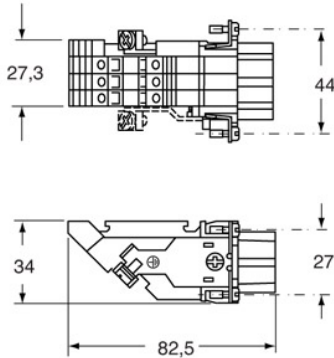


Product description		Material properties	
Product type	Insert	Main material	Polycarbonate (PC)
Series	CTSE	Other materials	Contacts: copper alloy
Connection type	Spring terminal connection	Colour	RAL 7032 grey
Gender	Female		Compliant with exemption
N. of poles	6 poles + 	RoHs conformity	6(c): copper alloy containing up to 4% lead by weight
Size	Size 44.27	China RoHs - EFUP	50
Specification	Left side mounting With incorporated terminal block	REACH SVHC substances	Yes Lead
Technical data		SCIP number	1a9c93ff-0445-4a16-81e3-1609ac5274d6
Current	16 A	Approvals / Standards	
Voltage	500 V	Reference standard	EN 61984:2009-06
Rated impulse withstand voltage	6 kV	Certifications	CSAc, CQC, DNV, BV, EAC
Pollution degree	3	UL	ECBT2
Rated voltage according to UL/CSA	600 V	General ordering information	
Wire cross-section	0,14 mm ² - 2,50 mm ²	EAN13 code	8015747122313
AWG size	26 - 14	eCl@ss 8.1	27440205
Contact type	Turned silver plated	ETIM 7.0	EC000438
IP degree of protection	IP20 without enclosure, IP66/IP69 with enclosure	Packaging Information	
Further technical details		Packaging weight	0,35 kg
Characteristics according to EN 61984	16A 500V 6kV 3; 16A 400/690V 6kV 2	Packaging description	Carton box
Mating cycles	≥ 500	Packaging quantity	4 Pcs
Insulation resistance	≥ 10 GΩ	Packaging EAN code	8015747123518
Contact resistance	≤ 4 mΩ	Sub-packaging length	75,00 mm
Weight	80,50 g	Sub-packaging height	89,00 mm
Operating temperature range (min, max)	-40 °C ... +125 °C	Sub-packaging width	110,00 mm
Conductors stripping length	9...11 mm	Sub-packaging weight	0,09 kg
UL 94 flammability rating	V-0	Sub-packaging volume	0,73 dm ³
		Sub-packaging description	Plastic packaging
		Sub-packaging quantity	1 Pcs
		Sub-packaging EAN barcode	8015747123525

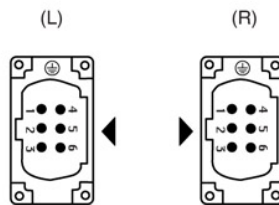
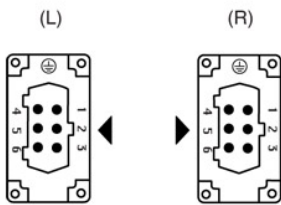
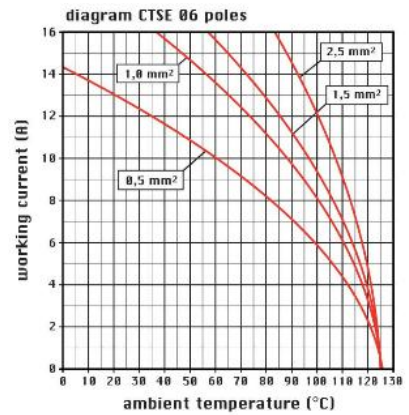
Part number CTSEF 06 L



Catalogue drawings



Catalogue drawings



Notes

CTSEF/M 06 L/R inserts

- characteristics according to EN 61984:
- 16A 500V 6kV 3 (CTE - CTSE)
- 16A 400/690V 6kV 2 (CTSE)
- can be mated with CNE, CCE, CCS, CSE, CSH inserts
- inserts may be fitted from front of enclosure
- UL, CSA, CCC, GL, GOST certified (CTSE)
- rated voltage according to UL/CSA: 600V
- insulation resistance: > 10 GOhm
- ambient temperature limit: -40 °C ... +125 °C
- are made of self-extinguishing thermoplastic resin UL 94 V0
- mechanical life: > 500 cycles
- contact resistance: < 4 mOhm
- enclosures (only bulkhead mounted housing): size 44.27:
- C-TYPE IP65/IP66
- C7 IP67 stainless steel lever
- V-TYPE IP65/IP66 stainless steel lever
- T-TYPE IP65 insulating
- JEI zinc-plated steel lever
- BIG hoods
- W-TYPE aggressive environments
- EMC

Dimensions shown in mm are not binding and may be changed without notice.

California Proposition 65 Information



WARNING

This product can expose you to lead and its compounds, known to the State of California to cause cancer and/or reproductive toxicity. For more information go to www.P65Warnings.ca.gov.

California Proposition 65 Information



WARNING

This product can expose you to lead and its compounds, known to the State of California to cause cancer and/or reproductive toxicity. For more information go to www.P65Warnings.ca.gov.
