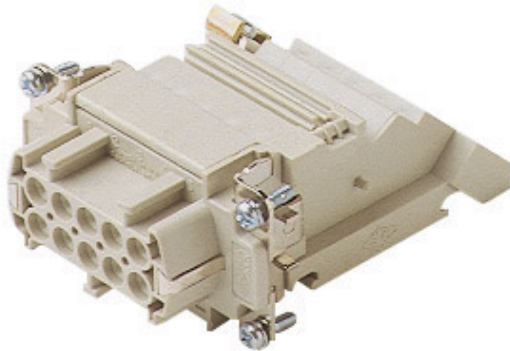



Part number

# CTSEF 10 L



Female insert, CTSE series, spring terminal connection, 10 poles + PE, 16 A 500 V 6 kV 3, size "57.27", with incorporated terminal block, left side mounting

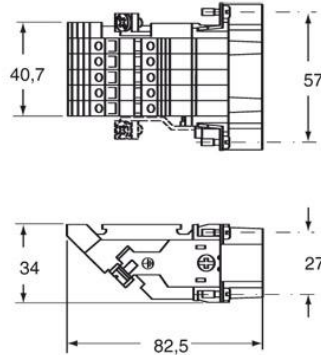
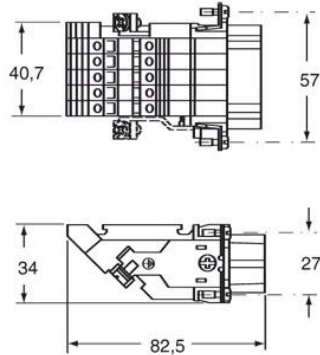
Product description		Material properties	
<b>Product type</b>	Insert	<b>Main material</b>	Polycarbonate (PC)
<b>Series</b>	CTSE	<b>Other materials</b>	Contacts: copper alloy
<b>Connection type</b>	Spring terminal connection	<b>Colour</b>	RAL 7032 grey
<b>Gender</b>	Female	<b>RoHs conformity</b>	Compliant with exemption 6(c): copper alloy containing up to 4% lead by weight
<b>N. of poles</b>	10 poles + 	<b>China RoHs - EFUP</b>	50
<b>Size</b>	Size 57.27	<b>REACH SVHC substances</b>	Yes Lead
<b>Specification</b>	Left side mounting With incorporated terminal block	<b>SCIP number</b>	1a9c93ff-0445-4a16-81e3-1609ac5274d6
Technical data		Approvals / Standards	
<b>Current</b>	16 A	<b>Reference standard</b>	EN 61984:2009-06
<b>Voltage</b>	500 V	<b>Certifications</b>	CSAc, CQC, DNV, BV, EAC
<b>Rated impulse withstand voltage</b>	6 kV	<b>UL</b>	ECBT2
<b>Pollution degree</b>	3	General ordering information	
<b>Rated voltage according to UL/CSA</b>	600 V	<b>EAN13 code</b>	8015747122337
<b>Wire cross-section</b>	0,14 mm <sup>2</sup> - 2,50 mm <sup>2</sup>	<b>eCl@ss 8.1</b>	27440205
<b>AWG size</b>	26 - 14	<b>ETIM 7.0</b>	EC000438
<b>Contact type</b>	Turned silver plated	Packaging Information	
<b>IP degree of protection</b>	IP20 without enclosure, IP66/IP69 with enclosure	<b>Packaging length</b>	112,00 mm
<b>Further technical details</b>		<b>Packaging height</b>	95,00 mm
<b>Characteristics according to EN 61984</b>	16A 500V 6kV 3; 16A 400/690V 6kV 2	<b>Packaging width</b>	117,00 mm
<b>Mating cycles</b>	≥ 500	<b>Packaging weight</b>	0,49 kg
<b>Insulation resistance</b>	≥ 10 GΩ	<b>Packaging volume</b>	1,24 dm <sup>3</sup>
<b>Contact resistance</b>	≤ 4 mΩ	<b>Packaging description</b>	Carton box
<b>Weight</b>	108,50 g	<b>Packaging quantity</b>	4 Pcs
<b>Operating temperature range (min, max)</b>	-40 °C ... +125 °C	<b>Packaging EAN code</b>	8015747123556
<b>Conductors stripping length</b>	9...11 mm	<b>Sub-packaging weight</b>	0,12 kg
<b>UL 94 flammability rating</b>	V-0	<b>Sub-packaging description</b>	Plastic packaging
		<b>Sub-packaging quantity</b>	1 Pcs
		<b>Sub-packaging EAN barcode</b>	8015747123563

Part number

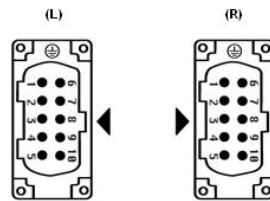
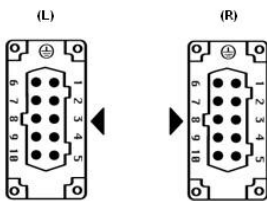
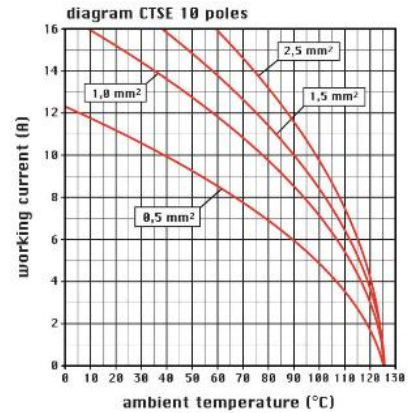
# CTSEF 10 L



Catalogue drawings



Catalogue drawings



## Notes

### CTSEF/M 10 L/R inserts

- characteristics according to EN 61984:
  - 16A 500V 6kV 3 (CTE - CTSE)
  - 16A 400/690V 6kV 2 (CTSE)
- can be mated with CNE, CCE, CCS, CSE, CSH inserts
- inserts may be fitted from front of enclosure
- UL, CSA, CCC, GL, GOST certified (CTSE)
- rated voltage according to UL/CSA: 600V
- insulation resistance: > 10 GOhm
- ambient temperature limit: -40 °C ... +125 °C
- are made of self-extinguishing thermoplastic resin UL 94 V0
- mechanical life: > 500 cycles
- contact resistance: < 4 mOhm
- enclosures (only bulkhead mounted housing): size 57.27:
  - C-TYPE IP65/IP66
  - C7 IP67 stainless steel lever
  - V-TYPE IP65/IP66 stainless steel lever
  - T-TYPE IP65 insulating
  - JEI zinc-plated steel lever
  - BIG hoods
  - W-TYPE aggressive environments
  - EMC

Dimensions shown in mm are not binding and may be changed without notice.

### California Proposition 65 Information



### WARNING

This product can expose you to lead and its compounds, known to the State of California to cause cancer and/or reproductive toxicity. For more information go to [www.P65Warnings.ca.gov](http://www.P65Warnings.ca.gov).

## California Proposition 65 Information



### WARNING

This product can expose you to lead and its compounds, known to the State of California to cause cancer and/or reproductive toxicity. For more information go to [www.P65Warnings.ca.gov](http://www.P65Warnings.ca.gov).

---