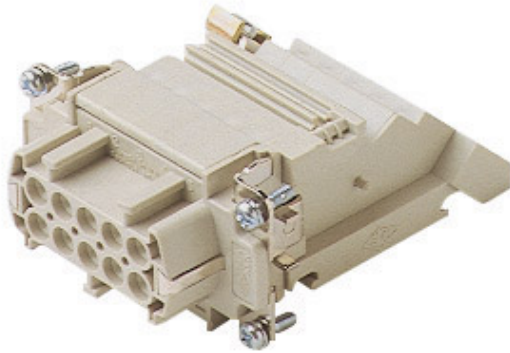


Part number

CTSEF 10 R



Female insert, CTSE series, spring terminal connection, 10 poles + PE, 16 A 500 V 6 kV 3, size "57.27", with incorporated terminal block, right side mounting

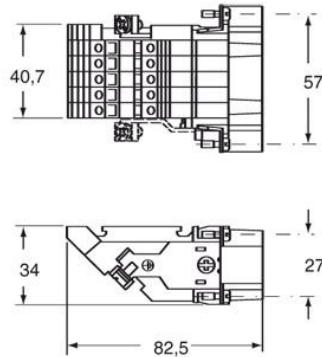
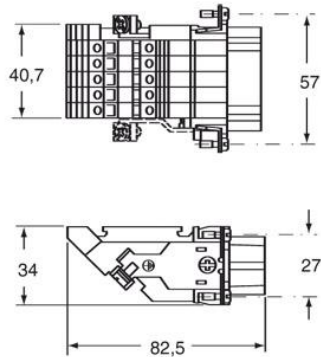
Product description		Material properties	
Product type	Insert	Main material	Polycarbonate (PC)
Series	CTSE	Other materials	Contacts: copper alloy
Connection type	Spring terminal connection	Colour	RAL 7032 grey
Gender	Female	RoHs conformity	Compliant with exemption 6(c): copper alloy containing up to 4% lead by weight
N. of poles	10 poles +	China RoHs - EFUP	50
Size	Size 57.27	REACH SVHC substances	Yes Lead
Specification	Right side mounting With incorporated terminal block	SCIP number	1a9c93ff-0445-4a16-81e3-1609ac5274d6
Technical data		Approvals / Standards	
Current	16 A	Reference standard	EN 61984:2009-06
Voltage	500 V	Certifications	CSAc, CQC, DNV, BV, EAC
Rated impulse withstand voltage	6 kV	UL	ECBT2
Pollution degree	3	General ordering information	
Rated voltage according to UL/CSA	600 V	EAN13 code	8015747122344
Wire cross-section	0,14 mm ² - 2,50 mm ²	eCl@ss 8.1	27440205
AWG size	26 - 14	ETIM 7.0	EC000438
Contact type	Turned silver plated	Packaging Information	
IP degree of protection	IP20 without enclosure, IP66/IP69 with enclosure	Packaging length	112,00 mm
Further technical details		Packaging height	95,00 mm
Characteristics according to EN 61984	16A 500V 6kV 3; 16A 400/690V 6kV 2	Packaging width	117,00 mm
Mating cycles	≥ 500	Packaging weight	0,49 kg
Insulation resistance	≥ 10 GΩ	Packaging volume	1,24 dm ³
Contact resistance	≤ 4 mΩ	Packaging description	Carton box
Weight	108,50 g	Packaging quantity	4 Pcs
Operating temperature range (min, max)	-40 °C ... +125 °C	Packaging EAN code	8015747123570
Conductors stripping length	9...11 mm	Sub-packaging weight	0,12 kg
UL 94 flammability rating	V-0	Sub-packaging description	Plastic packaging
		Sub-packaging quantity	1 Pcs
		Sub-packaging EAN barcode	8015747123587

Part number

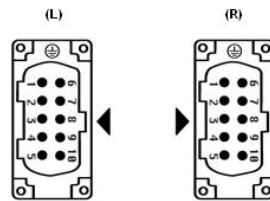
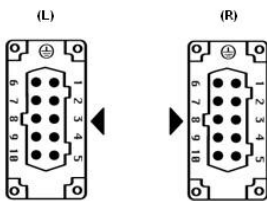
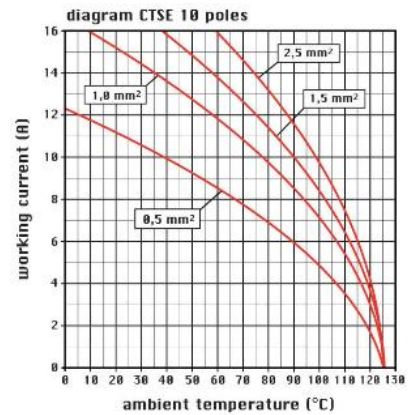
CTSEF 10 R



Catalogue drawings



Catalogue drawings



Notes

CTSEF/M 10 L/R inserts

- characteristics according to EN 61984:
16A 500V 6kV 3 (CTE - CTSE)
16A 400/690V 6kV 2 (CTSE)
- can be mated with CNE, CCE, CCS, CSE, CSH inserts
- inserts may be fitted from front of enclosure
- UL, CSA, CCC, GL, GOST certified (CTSE)
- rated voltage according to UL/CSA: 600V
- insulation resistance: > 10 GOhm
- ambient temperature limit: -40 °C ... +125 °C
- are made of self-extinguishing thermoplastic resin UL 94 V0
- mechanical life: > 500 cycles
- contact resistance: < 4 mOhm
- enclosures (only bulkhead mounted housing): size 57.27:
C-TYPE IP65/IP66
C7 IP67 stainless steel lever
V-TYPE IP65/IP66 stainless steel lever
T-TYPE IP65 insulating
JEI zinc-plated steel lever
BIG hoods
W-TYPE aggressive environments
EMC

Dimensions shown in mm are not binding and may be changed without notice.

California Proposition 65 Information



WARNING

This product can expose you to lead and its compounds, known to the State of California to cause cancer and/or reproductive toxicity. For more information go to www.P65Warnings.ca.gov.

California Proposition 65 Information



WARNING

This product can expose you to lead and its compounds, known to the State of California to cause cancer and/or reproductive toxicity. For more information go to www.P65Warnings.ca.gov.
