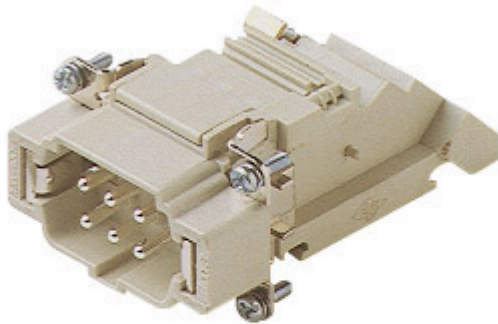



Part number

CTSEM 06 L



Male insert, CTSE series, spring terminal connection, 6 poles + PE, 16 A 500 V 6 kV 3, size "44.27", with incorporated terminal block, left side mounting

Product description

| | |
|------------------------|---|
| Product type | Insert |
| Series | CTSE |
| Connection type | Spring terminal connection |
| Gender | Male |
| N. of poles | 6 poles +  |
| Size | Size 44.27 |
| Specification | Left side mounting With incorporated terminal block |

Technical data

| | |
|--|--|
| Current | 16 A |
| Voltage | 500 V |
| Rated impulse withstand voltage | 6 kV |
| Pollution degree | 3 |
| Rated voltage according to UL/CSA | 600 V |
| Wire cross-section | 0,14 mm ² - 2,50 mm ² |
| AWG size | 26 - 14 |
| Contact type | Turned silver plated |
| IP degree of protection | IP20 without enclosure, IP66/IP69 with enclosure |

Further technical details

| | |
|---|------------------------------------|
| Characteristics according to EN 61984 | 16A 500V 6kV 3; 16A 400/690V 6kV 2 |
| Mating cycles | ≥ 500 |
| Insulation resistance | ≥ 10 GΩ |
| Contact resistance | ≤ 4 mΩ |
| Weight | 79,00 g |
| Operating temperature range (min, max) | -40 °C ... +125 °C |
| Conductors stripping length | 9...11 mm |
| UL 94 flammability rating | V-0 |

Material properties

| | |
|------------------------------|--|
| Main material | Polycarbonate (PC) |
| Other materials | Contacts: copper alloy |
| Colour | RAL 7032 grey |
| RoHs conformity | Compliant with exemption 6(c): copper alloy containing up to 4% lead by weight |
| China RoHs - EFUP | 50 |
| REACH SVHC substances | Yes Lead |
| SCIP number | 1a9c93ff-0445-4a16-81e3-1609ac5274d6 |

Approvals / Standards

| | |
|---------------------------|-------------------------|
| Reference standard | EN 61984:2009-06 |
| Certifications | CSAc, CQC, DNV, BV, EAC |
| UL | ECBT2 |

General ordering information

| | |
|-------------------|---------------|
| EAN13 code | 8015747122436 |
| eCl@ss 8.1 | 27440205 |
| ETIM 7.0 | EC000438 |

Packaging Information

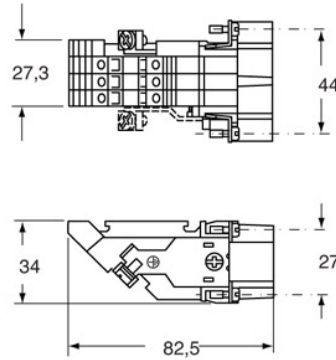
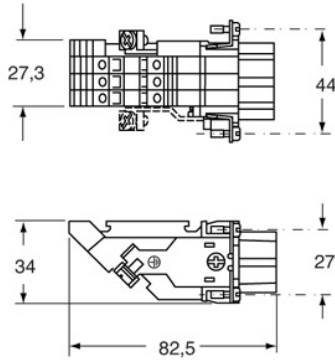
| | |
|----------------------------------|----------------------|
| Packaging weight | 0,42 kg |
| Packaging description | Carton box |
| Packaging quantity | 4 Pcs |
| Packaging EAN code | 8015747123754 |
| Sub-packaging length | 75,00 mm |
| Sub-packaging height | 89,00 mm |
| Sub-packaging width | 110,00 mm |
| Sub-packaging weight | 0,11 kg |
| Sub-packaging volume | 0,73 dm ³ |
| Sub-packaging description | Plastic packaging |
| Sub-packaging quantity | 1 Pcs |
| Sub-packaging EAN barcode | 8015747123761 |

Part number

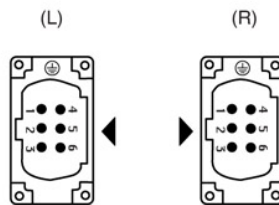
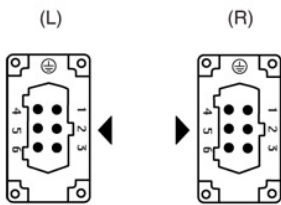
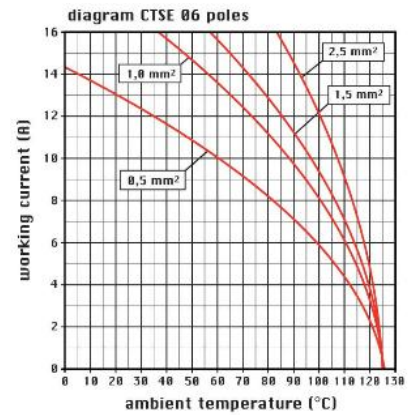
CTSEM 06 L



Catalogue drawings



Catalogue drawings



Notes

CTSEF/M 06 L/R inserts

- characteristics according to EN 61984:
 - 16A 500V 6kV 3 (CTE - CTSE)
 - 16A 400/690V 6kV 2 (CTSE)
- can be mated with CNE, CCE, CCS, CSE, CSH inserts
- inserts may be fitted from front of enclosure
- UL, CSA, CCC, GL, GOST certified (CTSE)
- rated voltage according to UL/CSA: 600V
- insulation resistance: > 10 GOhm
- ambient temperature limit: -40 °C ... +125 °C
- are made of self-extinguishing thermoplastic resin UL 94 V0
- mechanical life: > 500 cycles
- contact resistance: < 4 mOhm
- enclosures (only bulkhead mounted housing): size 44.27:
 - C-TYPE IP65/IP66
 - C7 IP67 stainless steel lever
 - V-TYPE IP65/IP66 stainless steel lever
 - T-TYPE IP65 insulating
 - JEI zinc-plated steel lever
 - BIG hoods
 - W-TYPE aggressive environments
 - EMC

Dimensions shown in mm are not binding and may be changed without notice.

California Proposition 65 Information



WARNING

This product can expose you to lead and its compounds, known to the State of California to cause cancer and/or reproductive toxicity. For more information go to www.P65Warnings.ca.gov.

California Proposition 65 Information



WARNING

This product can expose you to lead and its compounds, known to the State of California to cause cancer and/or reproductive toxicity. For more information go to www.P65Warnings.ca.gov.
