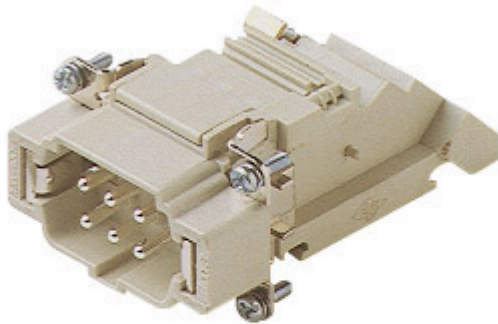



Part number

CTSEM 06 R



Male insert, CTSE series, spring terminal connection, 6 poles + PE, 16 A 500 V 6 kV 3, size "44.27", with incorporated terminal block, right side mounting

Product description

Product type	Insert
Series	CTSE
Connection type	Spring terminal connection
Gender	Male
N. of poles	6 poles + 
Size	Size 44.27
Specification	Right side mounting With incorporated terminal block

Technical data

Current	16 A
Voltage	500 V
Rated impulse withstand voltage	6 kV
Pollution degree	3
Rated voltage according to UL/CSA	600 V
Wire cross-section	0,14 mm ² - 2,50 mm ²
AWG size	26 - 14
Contact type	Turned silver plated
IP degree of protection	IP20 without enclosure, IP66/IP69 with enclosure

Further technical details

Characteristics according to EN 61984	16A 500V 6kV 3; 16A 400/690V 6kV 2
Mating cycles	≥ 500
Insulation resistance	≥ 10 GΩ
Contact resistance	≤ 4 mΩ
Weight	79,00 g
Operating temperature range (min, max)	-40 °C ... +125 °C
Conductors stripping length	9...11 mm
UL 94 flammability rating	V-0

Material properties

Main material	Polycarbonate (PC)
Other materials	Contacts: copper alloy
Colour	RAL 7032 grey
RoHs conformity	Compliant with exemption 6(c): copper alloy containing up to 4% lead by weight
China RoHs - EFUP	50
REACH SVHC substances	Yes Lead
SCIP number	1a9c93ff-0445-4a16-81e3-1609ac5274d6

Approvals / Standards

Reference standard	EN 61984:2009-06
Certifications	CSAc, CQC, DNV, BV, EAC
UL	ECBT2

General ordering information

EAN13 code	8015747122443
eCl@ss 8.1	27440205
ETIM 7.0	EC000438

Packaging Information

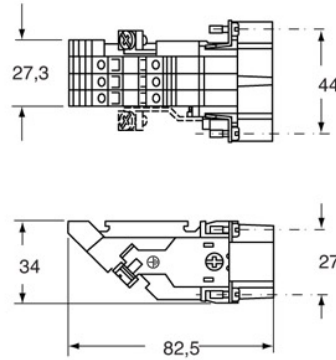
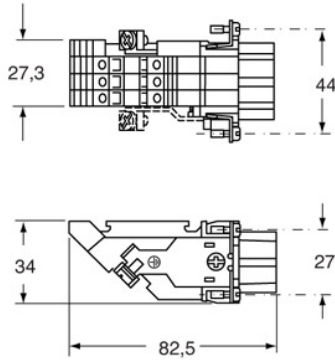
Packaging weight	0,42 kg
Packaging description	Carton box
Packaging quantity	4 Pcs
Packaging EAN code	8015747123778
Sub-packaging length	75,00 mm
Sub-packaging height	89,00 mm
Sub-packaging width	110,00 mm
Sub-packaging weight	0,11 kg
Sub-packaging volume	0,73 dm ³
Sub-packaging description	Plastic packaging
Sub-packaging quantity	1 Pcs
Sub-packaging EAN barcode	8015747123785

Part number

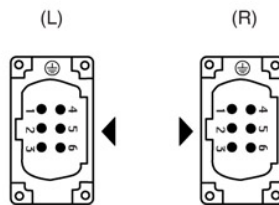
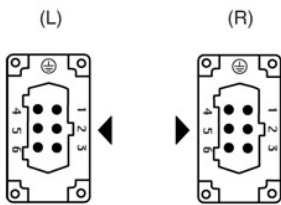
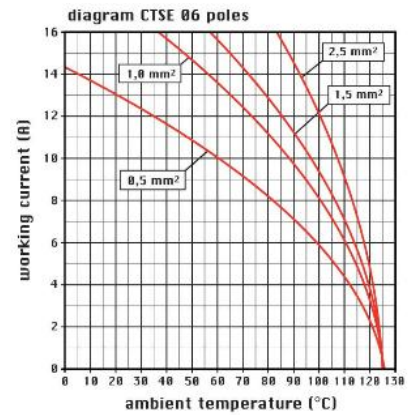
CTSEM 06 R



Catalogue drawings



Catalogue drawings



Notes

CTSEF/M 06 L/R inserts

- characteristics according to EN 61984:
16A 500V 6kV 3 (CTE - CTSE)
16A 400/690V 6kV 2 (CTSE)
 - can be mated with CNE, CCE, CCS, CSE, CSH inserts
 - inserts may be fitted from front of enclosure
 - UL, CSA, CCC, GL, GOST certified (CTSE)
 - rated voltage according to UL/CSA: 600V
 - insulation resistance: > 10 GOhm
 - ambient temperature limit: -40 °C ... +125 °C
 - are made of self-extinguishing thermoplastic resin UL 94 V0
 - mechanical life: > 500 cycles
 - contact resistance: < 4 mOhm
 - enclosures (only bulkhead mounted housing): size 44.27:
- C-TYPE IP65/IP66
C7 IP67 stainless steel lever
V-TYPE IP65/IP66 stainless steel lever
T-TYPE IP65 insulating
JEl zinc-plated steel lever
BIG hoods
W-TYPE aggressive environments
EMC

Dimensions shown in mm are not binding and may be changed without notice.

California Proposition 65 Information



WARNING

This product can expose you to lead and its compounds, known to the State of California to cause cancer and/or reproductive toxicity. For more information go to www.P65Warnings.ca.gov.

California Proposition 65 Information



WARNING

This product can expose you to lead and its compounds, known to the State of California to cause cancer and/or reproductive toxicity. For more information go to www.P65Warnings.ca.gov.
