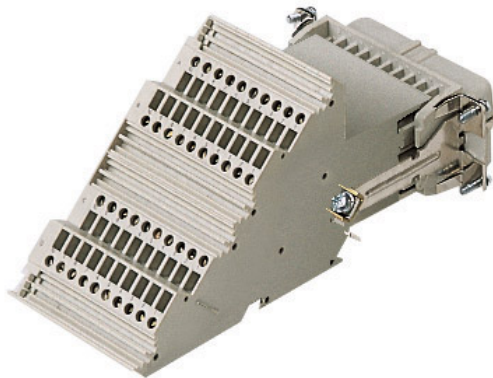



Part number

CTSF 40 R



Female insert, CTS series, spring terminal connection, 40 poles + PE, 10 A 250 V 4 kV 3, size "77.27", with incorporated terminal block, right side mounting

Product description

| | |
|------------------------|--|
| Product type | Insert |
| Series | CTS |
| Connection type | Spring terminal connection |
| Gender | Female |
| N. of poles | 40 poles +  |
| Size | Size 77.27 |
| Specification | Right side mounting With incorporated terminal block |

Technical data

| | |
|--|--|
| Current | 10 A |
| Voltage | 250 V |
| Rated impulse withstand voltage | 4 kV |
| Pollution degree | 3 |
| Rated voltage according to UL/CSA | 600 V |
| Wire cross-section | 0,14 mm ² - 2,50 mm ² |
| AWG size | 26 - 14 |
| Contact type | Turned silver plated |
| IP degree of protection | IP20 without enclosure, IP66/IP69 with enclosure |

Further technical details

| | |
|---|------------------------------------|
| Characteristics according to EN 61984 | 10A 250V 4kV 3; 10A 230/400V 4kV 2 |
| Mating cycles | ≥ 500 |
| Insulation resistance | ≥ 10 GΩ |
| Contact resistance | ≤ 4 mΩ |
| Weight | 330,00 g |
| Operating temperature range (min, max) | -40 °C ... +125 °C |
| UL 94 flammability rating | V-0 |

Material properties

| | |
|------------------------------|--|
| Main material | Polycarbonate (PC) |
| Other materials | Contacts: copper alloy |
| Colour | RAL 7032 grey |
| RoHs conformity | Compliant with exemption 6(c): copper alloy containing up to 4% lead by weight |
| China RoHs - EFUP | 50 |
| REACH SVHC substances | Yes Lead |
| SCIP number | 1a9c93ff-0445-4a16-81e3-1609ac5274d6 |

Approvals / Standards

| | |
|---------------------------|-------------------------|
| Reference standard | EN 61984:2009-06 |
| Certifications | CSAc, CQC, DNV, BV, EAC |
| UL | ECBT2 |

General ordering information

| | |
|-------------------|---------------|
| EAN13 code | 8015747041508 |
| eCl@ss 8.1 | 27440205 |
| ETIM 7.0 | EC000438 |

Packaging Information

| | |
|----------------------------------|----------------------|
| Packaging length | 160,00 mm |
| Packaging height | 115,00 mm |
| Packaging width | 137,00 mm |
| Packaging weight | 0,74 kg |
| Packaging volume | 2,52 dm ³ |
| Packaging description | Carton box |
| Packaging quantity | 2 Pcs |
| Packaging EAN code | 8015747260503 |
| Sub-packaging weight | 0,37 kg |
| Sub-packaging description | Plastic packaging |
| Sub-packaging quantity | 1 Pcs |
| Sub-packaging EAN barcode | 8015747041515 |

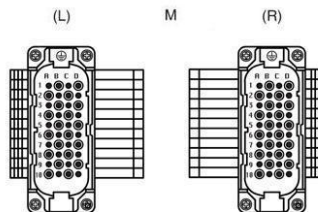
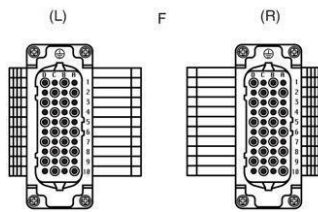
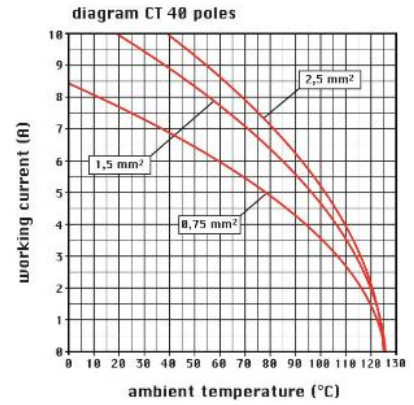
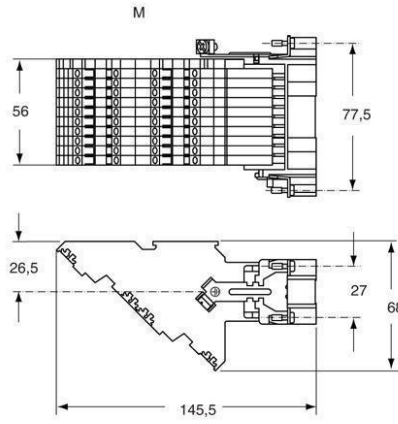
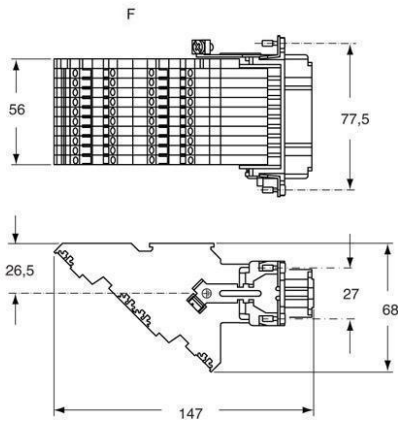
Part number

CTSF 40 R



Catalogue drawings

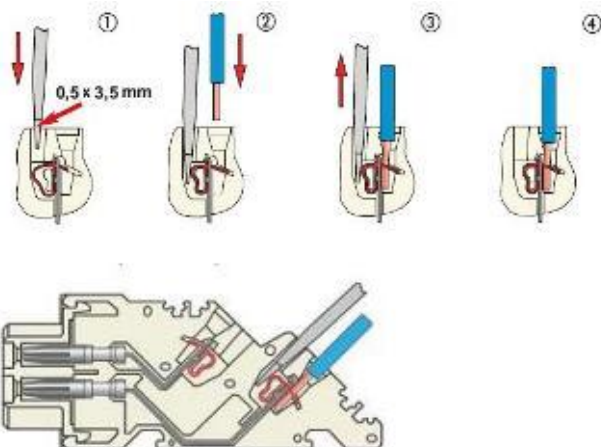
Catalogue drawings



Notes

Dimensions shown in mm are not binding and may be changed without notice.

Spring terminal connection.



California Proposition 65 Information



WARNING

This product can expose you to lead and its compounds, known to the State of California to cause cancer and/or reproductive toxicity. For more information go to www.P65Warnings.ca.gov.

California Proposition 65 Information



WARNING

This product can expose you to lead and its compounds, known to the State of California to cause cancer and/or reproductive toxicity. For more information go to www.P65Warnings.ca.gov.
