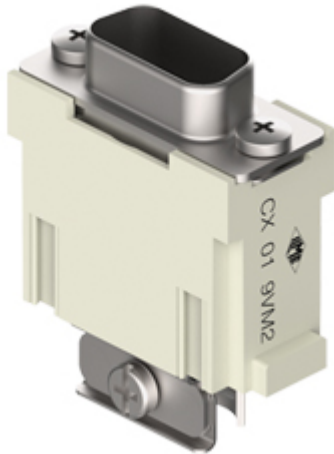


Part number

# CX 01 9VM2



Male modular insert, Mixo Data series, D-SUB, 9 poles, 1 module, 5 A 50 V 0,8 kV 3, crimp, shielded, 2 cable entries

#### Product description

<b>Product type</b>	Modular insert
<b>Series</b>	Mixo Data
<b>Connection type</b>	D-SUB
<b>Gender</b>	Male
<b>N. of poles</b>	9 poles
<b>Size</b>	1 module
<b>Specification</b>	2 cable entries Crimp, shielded

#### Technical data

<b>Current</b>	5 A
<b>Voltage</b>	50 V
<b>Rated impulse withstand voltage</b>	0,8 kV
<b>Pollution degree</b>	3
<b>IP degree of protection</b>	IP20 without enclosure, IP65/IP66/IP68/IP69 with enclosure

#### Further technical details

<b>Characteristics according to EN 61984</b>	5 A 50 V 0,8 kV 3
<b>Weight</b>	18,50 g
<b>Operating temperature range (min, max)</b>	-40°C...+70°C

#### Material properties

<b>Main material</b>	Polycarbonate (PC)
<b>Colour</b>	RAL 7032 grey
<b>RoHs conformity</b>	Compliant
<b>China RoHs - EFUP</b>	E
<b>REACH SVHC substances</b>	No

#### General ordering information

<b>EAN13 code</b>	8015747271721
<b>eCl@ss 8.1</b>	27440205
<b>ETIM 7.0</b>	EC000438

#### Packaging Information

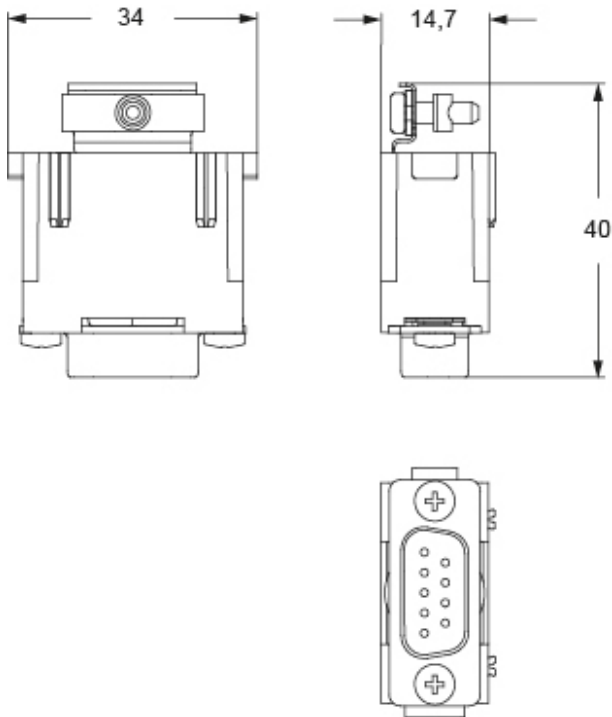
<b>Packaging length</b>	112,00 mm
<b>Packaging height</b>	95,00 mm
<b>Packaging width</b>	117,00 mm
<b>Packaging weight</b>	0,23 kg
<b>Packaging volume</b>	1,24 dm <sup>3</sup>
<b>Packaging description</b>	Carton box
<b>Packaging quantity</b>	10 Pcs
<b>Packaging EAN code</b>	8015747271738
<b>Sub-packaging weight</b>	0,02 kg
<b>Sub-packaging description</b>	Plastic bag
<b>Sub-packaging quantity</b>	1 Pcs
<b>Sub-packaging EAN barcode</b>	8015747271745

Part number

# CX 01 9VM2



## Catalogue drawings



## Notes

Standard modular inserts:

-in combination with standard contacts and standard frames (CX ... TF/TM); must be mounted either in traditional enclosures or in COB panel supports (both up to 500 matings).

Dimensions shown in mm are not binding and may be changed without notice.

### California Proposition 65 Information



**WARNING**

This product can expose you to lead and its compounds, known to the State of California to cause cancer and/or reproductive toxicity. For more information go to [www.P65Warnings.ca.gov](http://www.P65Warnings.ca.gov).