

Part number

CX 01 GF



Female modular insert, Mixo series, crimp connection, 1 pole, 1 module, 100 A 830 V 8 kV 3

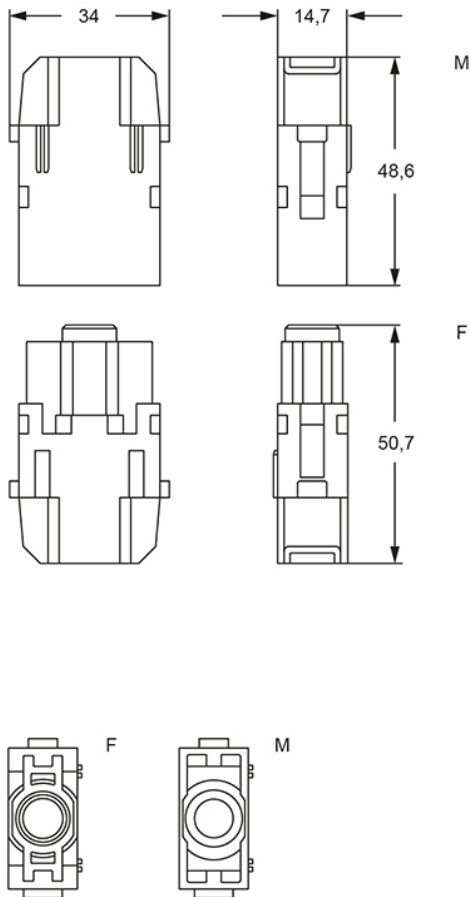
| Product description | | Material properties | |
|---|--|----------------------------------|----------------------|
| Product type | Modular insert | Main material | Polycarbonate |
| Series | Mixo | Colour | RAL 7032 grey |
| Connection type | Crimp connection | RoHs conformity | Compliant |
| Gender | Female | China RoHs - EFUP | E |
| N. of poles | 1 pole | REACH SVHC substances | No |
| Size | 1 module | Approvals / Standards | |
| Technical data | | Certifications | DNV, BV, EAC |
| Current | 100 A | UL | ECBT2 |
| Voltage | 830 V | cUL | ECBT8 |
| Rated impulse withstand voltage | 8 kV | General ordering information | |
| Pollution degree | 3 | EAN13 code | 8015747252157 |
| Rated voltage according to UL/CSA | 600 V | eCl@ss 8.1 | 27440205 |
| IP degree of protection | IP20 without enclosure, IP65/IP66/IP68/IP69 with enclosure | ETIM 7.0 | EC000438 |
| Further technical details | | Packaging Information | |
| Characteristics according to EN 61984 | 100A 830V 8kV 3 | Packaging weight | 0,09 kg |
| Mating cycles | ≥ 500 | Packaging volume | 1,24 dm ³ |
| Insulation resistance | ≥ 10 GΩ | Packaging description | Carton box |
| Contact resistance | ≤ 0,3 mΩ | Packaging quantity | 5 Pcs |
| Weight | 14,30 g | Packaging EAN code | 8015747252188 |
| Operating temperature range (min, max) | -40 °C ... +125 °C | Sub-packaging length | 90,00 mm |
| UL 94 flammability rating | V-0 | Sub-packaging height | 66,00 mm |
| | | Sub-packaging width | 110,00 mm |
| | | Sub-packaging weight | 0,02 kg |
| | | Sub-packaging volume | 0,65 dm ³ |
| | | Sub-packaging description | Plastic bag |
| | | Sub-packaging quantity | 1 Pcs |
| | | Sub-packaging EAN barcode | 8015747252195 |

Part number

CX 01 GF

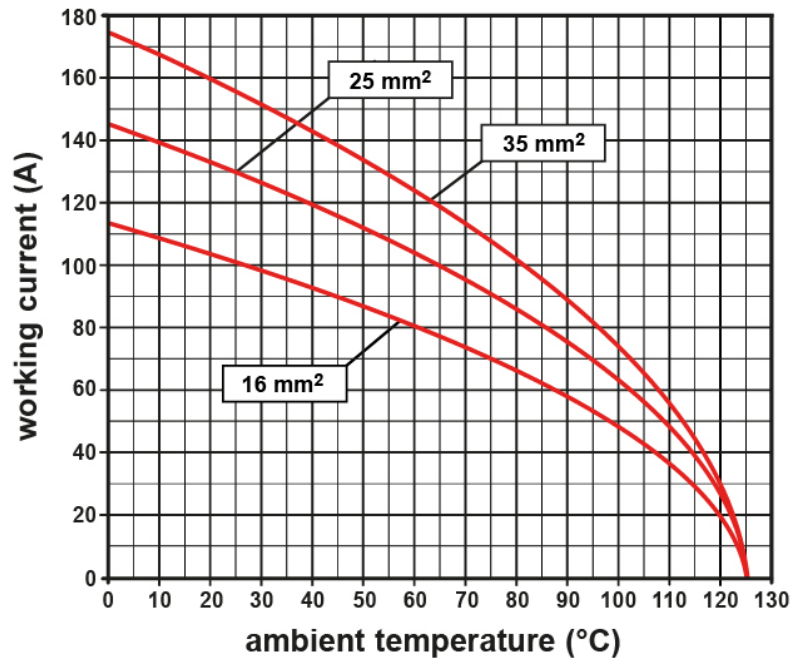


Catalogue drawings



Derating curves

CX 01 poles connector inserts Maximum current load derating diagram



Notes

Standard modular inserts:

-in combination with standard contacts and standard frames (CX ... TF/TM); must be mounted either in traditional enclosures or in COB panel supports (both up to 500 matings).

Dimensions shown in mm are not binding and may be changed without notice.