

Part number

CX 01 GM



Male modular insert, Mixo series, crimp connection, 1 pole, 1 module, 100 A 830 V 8 kV 3

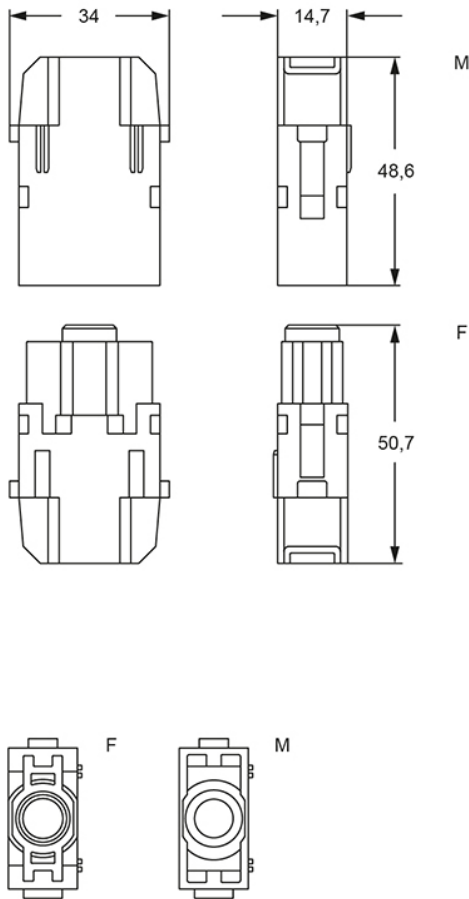
Product description		Material properties	
Product type	Modular insert	Main material	Polycarbonate
Series	Mixo	Colour	RAL 7032 grey
Connection type	Crimp connection	RoHs conformity	Compliant
Gender	Male	China RoHs - EFUP	E
N. of poles	1 pole	REACH SVHC substances	No
Size	1 module	Approvals / Standards	
Technical data		Certifications	DNV, BV, EAC
Current	100 A	UL	ECBT2
Voltage	830 V	cUL	ECBT8
Rated impulse withstand voltage	8 kV	General ordering information	
Pollution degree	3	EAN13 code	8015747252140
Rated voltage according to UL/CSA	600 V	eCl@ss 8.1	27440205
IP degree of protection	IP20 without enclosure, IP65/IP66/IP68/IP69 with enclosure	ETIM 7.0	EC000438
Further technical details		Packaging Information	
Characteristics according to EN 61984	100A 830V 8kV 3	Packaging weight	0,09 kg
Mating cycles	≥ 500	Packaging volume	1,24 dm ³
Insulation resistance	≥ 10 GΩ	Packaging description	Carton box
Contact resistance	≤ 0,3 mΩ	Packaging quantity	5 Pcs
Weight	14,50 g	Packaging EAN code	8015747252164
Operating temperature range (min, max)	-40 °C ... +125 °C	Sub-packaging length	90,00 mm
UL 94 flammability rating	V-0	Sub-packaging height	66,00 mm
		Sub-packaging width	110,00 mm
		Sub-packaging weight	0,02 kg
		Sub-packaging volume	0,65 dm ³
		Sub-packaging description	Plastic bag
		Sub-packaging quantity	1 Pcs
		Sub-packaging EAN barcode	8015747252171

Part number

CX 01 GM

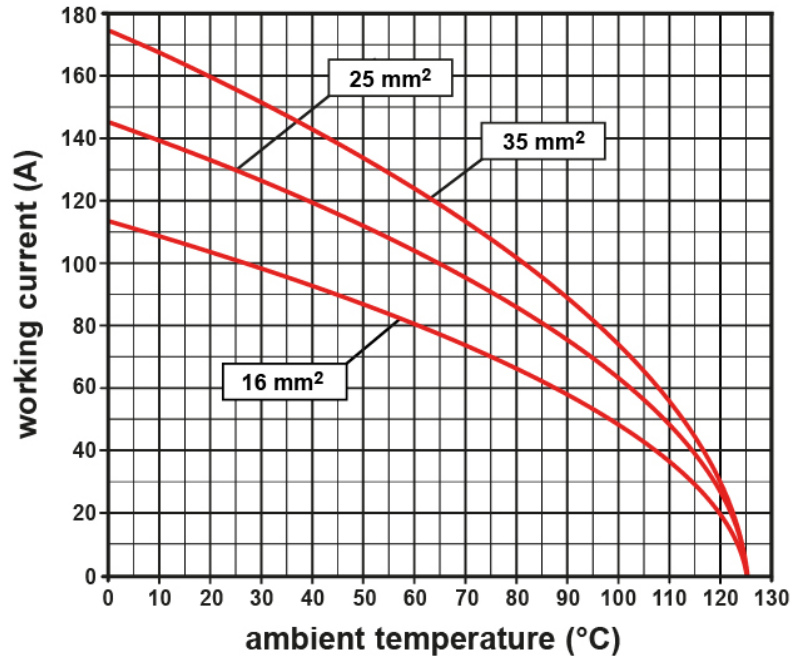


Catalogue drawings



Derating curves

CX 01 poles connector inserts Maximum current load derating diagram



Notes

Standard modular inserts:

-in combination with standard contacts and standard frames (CX ... TF/TM); must be mounted either in traditional enclosures or in COB panel supports (both up to 500 matings).

Dimensions shown in mm are not binding and may be changed without notice.