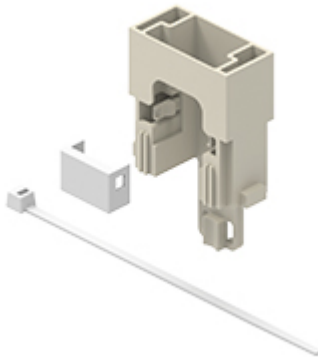


Part number

CX 01 J8UM



Male modular insert, Mixo Data series, RJ45, 1 module, without connector

Product description

Product type	Modular insert
Series	Mixo Data
Connection type	RJ45
Gender	Male
N. of poles	1 seat for RJ45 connector
Size	1 module
Specification	RJ45, universal adapter for patch cord

Technical data

IP degree of protection	IP20 without enclosure, IP65/IP66/IP68/IP69 with enclosure
--------------------------------	--

Further technical details

Weight	6,50 g
Operating temperature range (min, max)	-40°C...+70°C

Material properties

Main material	Polycarbonate (PC)
Colour	RAL 7032 grey
RoHs conformity	Compliant
China RoHs - EFUP	E
REACH SVHC substances	No

Approvals / Standards

Certifications	DNV
-----------------------	-----

General ordering information

EAN13 code	8015747280617
eCl@ss 8.1	27440205
ETIM 7.0	EC000438

Packaging Information

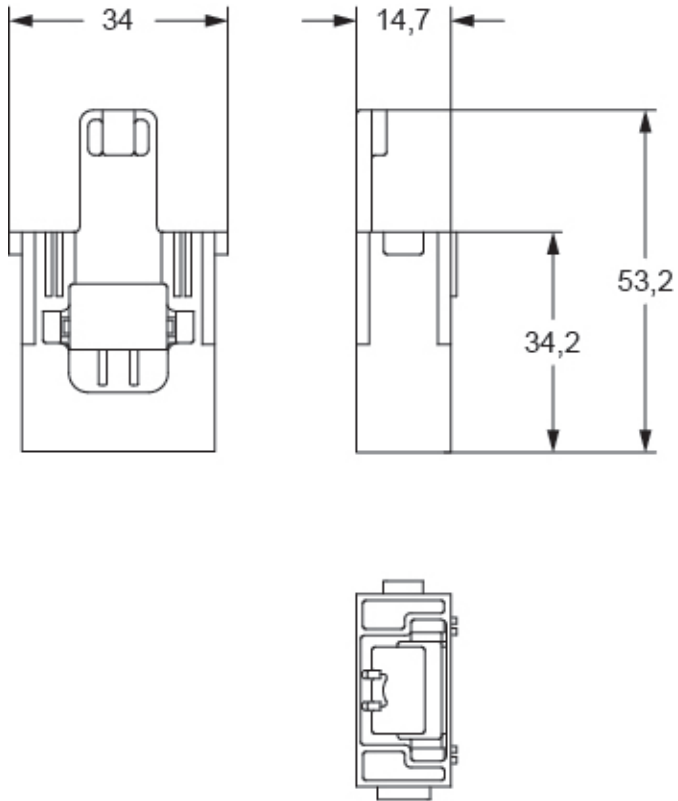
Sub-packaging description	Plastic bag
Sub-packaging quantity	1 Pcs
Sub-packaging EAN barcode	8015747280624

Part number

CX 01 J8UM



Catalogue drawings



Notes

Standard modular inserts:

-in combination with standard contacts and standard frames (CX ... TF/TM); must be mounted either in traditional enclosures or in COB panel supports (both up to 500 matings).

Dimensions shown in mm are not binding and may be changed without notice.
