

Part number

# CX 01 JF



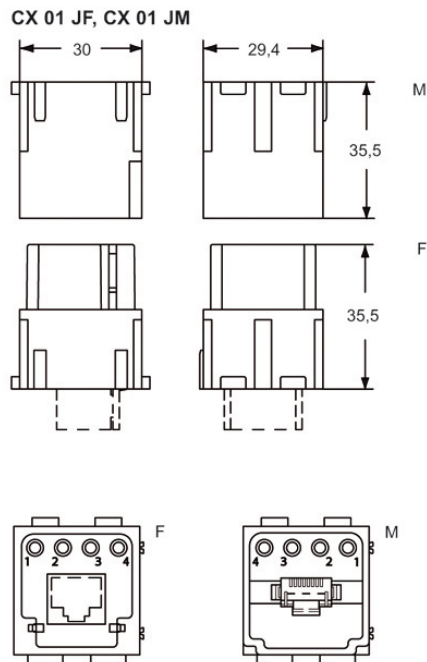
Female modular insert, Mixo Data series, RJ45, 2 modules, without connector, for 1 RJ45 connector and 4 10 A CD contacts

Product description		Material properties	
<b>Product type</b>	Modular insert	<b>Main material</b>	Polycarbonate (PC)
<b>Series</b>	Mixo Data	<b>Colour</b>	RAL 7032 grey
<b>Connection type</b>	RJ45	<b>RoHs conformity</b>	Compliant
<b>Gender</b>	Female	<b>China RoHs - EFUP</b>	E
<b>N. of poles</b>	1 seat for RJ45 connector	<b>REACH SVHC substances</b>	No
<b>Auxiliary poles</b>	4D	<b>Approvals / Standards</b>	
<b>Size</b>	2 modules	<b>Reference standard</b>	EN 61984:2009-06
<b>Specification</b>	For 1 RJ45 connector and 4 10 A CD contacts RJ45, adapter for Cat. 6A female connector	<b>Certifications</b>	CSA, CQC, DNV, BV, EAC
Technical data		<b>UL</b>	ECBT2
<b>Current</b>	1 A	<b>cUL</b>	ECBT8
<b>Voltage</b>	50 V	<b>General ordering information</b>	
<b>Rated voltage according to UL/CSA</b>	600V	<b>EAN13 code</b>	8015747166003
<b>IP degree of protection</b>	IP20 without enclosure, IP65/IP66/IP68/IP69 with enclosure	<b>eCl@ss 8.1</b>	27440205
Further technical details		<b>ETIM 7.0</b>	EC000438
<b>Characteristics according to EN 61984</b>	10A 250V 4kV 3	<b>Packaging Information</b>	
<b>Insulation resistance</b>	≥ 10 GΩ	<b>Packaging length</b>	350,00 mm
<b>Contact resistance</b>	≤ 3 mΩ	<b>Packaging height</b>	105,00 mm
<b>Weight</b>	20,00 g	<b>Packaging width</b>	145,00 mm
<b>Operating temperature range (min, max)</b>	-40°C ... +120°C	<b>Packaging weight</b>	1,30 kg
<b>UL 94 flammability rating</b>	V-0	<b>Packaging volume</b>	5,33 dm <sup>3</sup>
		<b>Packaging description</b>	Carton box
		<b>Packaging quantity</b>	60 Pcs
		<b>Packaging EAN code</b>	8015747221023
		<b>Sub-packaging length</b>	35,00 mm
		<b>Sub-packaging height</b>	40,00 mm
		<b>Sub-packaging width</b>	155,00 mm
		<b>Sub-packaging weight</b>	0,11 kg
		<b>Sub-packaging volume</b>	0,22 dm <sup>3</sup>
		<b>Sub-packaging description</b>	Carton tray
		<b>Sub-packaging quantity</b>	5 Pcs
		<b>Sub-packaging EAN barcode</b>	8015747166041

Part number  
**CX 01 JF**



Catalogue drawings



---

## Notes

Standard modular inserts:

-in combination with standard contacts and standard frames (CX ... TF/TM); must be mounted either in traditional enclosures or in COB panel supports (both up to 500 matings).

---

Dimensions shown in mm are not binding and may be changed without notice.

---