

Part number

CX 01 MIF



Female modular insert, Mixo Data series,
HDMI, 1 module, 0,5 A 40 V 0,8 kV 3, type A

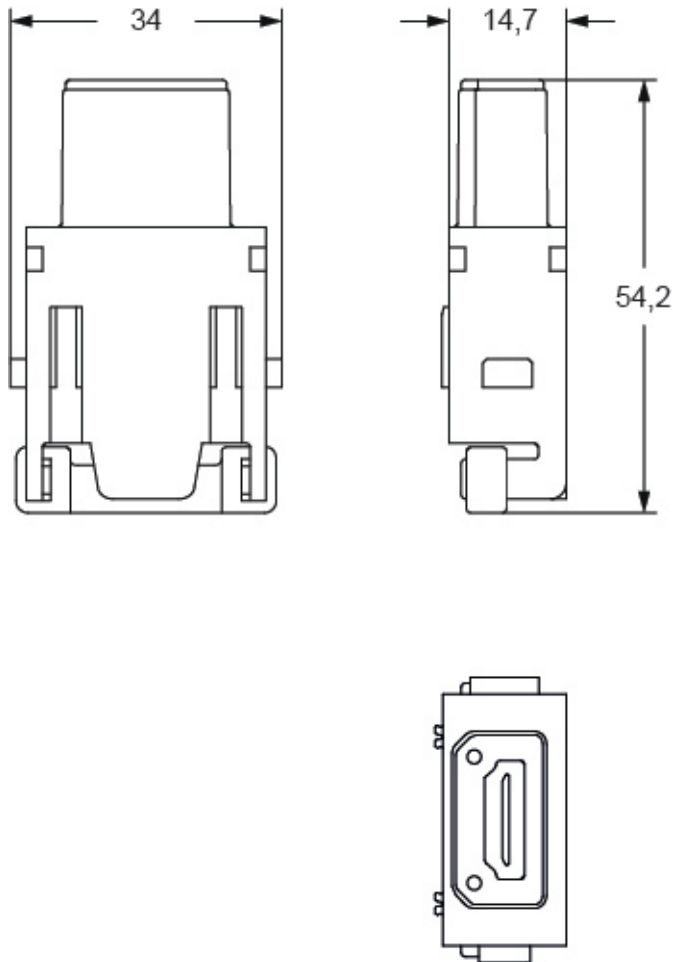
Product description		Material properties	
Product type	Modular insert	Main material	Polycarbonate (PC)
Series	Mixo Data	Colour	RAL 7032 grey
Connection type	HDMI	RoHs conformity	Compliant
Gender	Female	China RoHs - EFUP	E
N. of poles	1HDM	REACH SVHC substances	No
Size	1 module	Approvals / Standards	
Specification	Type A	Certifications	DNV
Technical data		UL	ECBT2
Current	1 A	cUL	ECBT8
Voltage	40 V	General ordering information	
Rated impulse withstand voltage	0,8 kV	EAN13 code	8015747266666
Pollution degree	3	eCl@ss 8.1	27440205
IP degree of protection	IP20 without enclosure, IP65/IP66/IP68/IP69 with enclosure	ETIM 7.0	EC000438
Further technical details		Packaging Information	
Characteristics according to EN 61984	0,5 A 40 V 0,8 kV 3	Packaging length	112,00 mm
Weight	16,00 g	Packaging height	95,00 mm
Operating temperature range (min, max)	-40°C...+70°C	Packaging width	117,00 mm
		Packaging weight	0,22 kg
		Packaging volume	1,24 dm ³
		Packaging description	Carton box
		Packaging quantity	10 Pcs
		Packaging EAN code	8015747266673
		Sub-packaging weight	0,02 kg
		Sub-packaging description	Plastic bag
		Sub-packaging quantity	1 Pcs
		Sub-packaging EAN barcode	8015747266680

Part number

CX 01 MIF



Catalogue drawings



Notes

Standard modular inserts:

-in combination with standard contacts and standard frames (CX ... TF/TM); must be mounted either in traditional enclosures or in COB panel supports (both up to 500 matings).

Dimensions shown in mm are not binding and may be changed without notice.

California Proposition 65 Information



WARNING

This product can expose you to lead and its compounds, known to the State of California to cause cancer and/or reproductive toxicity. For more information go to www.P65Warnings.ca.gov.