

Part number

CX 01 MIM



Male modular insert, Mixo Data series, HDMI,
1 module, 0,5 A 40 V 0,8 kV 3, type A

Product description

Product type	Modular insert
Series	Mixo Data
Connection type	HDMI
Gender	Male
N. of poles	1HDM
Size	1 module
Specification	Without connector

Technical data

Current	1 A
Voltage	40 V
Rated impulse withstand voltage	0,8 kV
Pollution degree	3
IP degree of protection	IP20 without enclosure, IP65/IP66/IP68/IP69 with enclosure

Further technical details

Characteristics according to EN 61984	0,5 A 40 V 0,8 kV 3
Weight	8,50 g
Operating temperature range (min, max)	-40°C...+70°C

Material properties

Main material	Polycarbonate (PC)
Colour	RAL 7032 grey
RoHs conformity	Compliant
China RoHs - EFUP	E
REACH SVHC substances	No

Approvals / Standards

Certifications	DNV
UL	ECBT2
cUL	ECBT8

General ordering information

EAN13 code	8015747266635
eCl@ss 8.1	27440205
ETIM 7.0	EC000438

Packaging Information

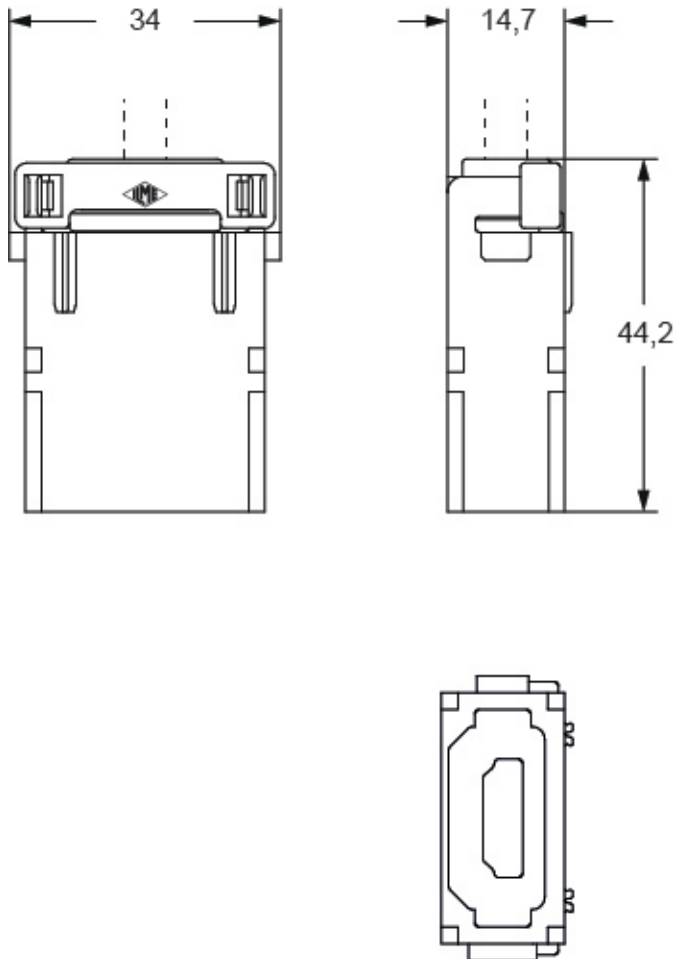
Packaging length	112,00 mm
Packaging height	95,00 mm
Packaging width	117,00 mm
Packaging weight	0,14 kg
Packaging volume	1,24 dm ³
Packaging description	Carton box
Packaging quantity	10 Pcs
Packaging EAN code	8015747266642
Sub-packaging description	Plastic bag
Sub-packaging quantity	1 Pcs
Sub-packaging EAN barcode	8015747266659

Part number

CX 01 MIM



Catalogue drawings



Notes

Standard modular inserts:

-in combination with standard contacts and standard frames (CX ... TF/TM); must be mounted either in traditional enclosures or in COB panel supports (both up to 500 matings).

Dimensions shown in mm are not binding and may be changed without notice.

California Proposition 65 Information



WARNING

This product can expose you to lead and its compounds, known to the State of California to cause cancer and/or reproductive toxicity. For more information go to www.P65Warnings.ca.gov.