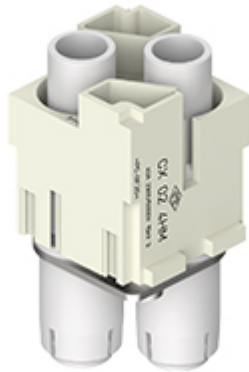


Part number

# CX 02 4HM



Male modular insert, Mixo series, crimp connection, 2 poles, 2 modules, 40 A 2900/5000 V 15 kV 3, with heat-shrinking tube

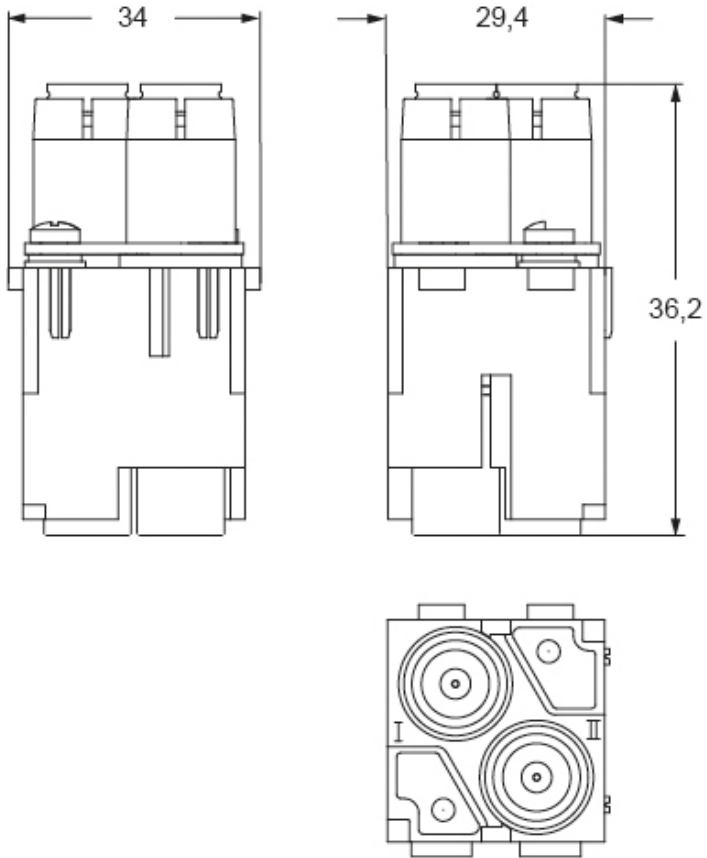
Product description		Material properties	
<b>Product type</b>	Modular insert	<b>Main material</b>	Polycarbonate
<b>Series</b>	Mixo	<b>Colour</b>	RAL 7032 grey
<b>Connection type</b>	Crimp connection	<b>RoHs conformity</b>	Compliant
<b>Gender</b>	Male	<b>China RoHs - EFUP</b>	E
<b>N. of poles</b>	2 poles	<b>REACH SVHC substances</b>	No
<b>Size</b>	2 modules	<b>Approvals / Standards</b>	
<b>Specification</b>	With heat-shrinking tube	<b>Certifications</b>	DNV
Technical data		General ordering information	
<b>Current</b>	40 A	<b>EAN13 code</b>	8015747271417
<b>Voltage</b>	2900 - 5000 V	<b>eCl@ss 8.1</b>	27440205
<b>Rated impulse withstand voltage</b>	15 kV	<b>ETIM 7.0</b>	EC000438
<b>Pollution degree</b>	3	<b>Packaging Information</b>	
<b>IP degree of protection</b>	IP20 without enclosure, IP65/IP66/IP68/IP69 with enclosure	<b>Sub-packaging weight</b>	0,05 kg
Further technical details		<b>Sub-packaging description</b>	Plastic bag
<b>Characteristics according to EN 61984</b>	40 A 2900/5000 V 15 kV 3	<b>Sub-packaging quantity</b>	1 Pcs
<b>Mating cycles</b>	≥ 500	<b>Sub-packaging EAN barcode</b>	8015747271424
<b>Insulation resistance</b>	≥ 10 GΩ		
<b>Contact resistance</b>	≤ 0,3 mΩ		
<b>Weight</b>	48,80 g		
<b>Operating temperature range (min, max)</b>	-40 °C ... +125 °C		
<b>UL 94 flammability rating</b>	V-0		

Part number

# CX 02 4HM



## Catalogue drawings



---

## Notes

Standard modular inserts:

-in combination with standard contacts and standard frames (CX ... TF/TM); must be mounted either in traditional enclosures or in COB panel supports (both up to 500 matings).

---

Dimensions shown in mm are not binding and may be changed without notice.

---