

Part number

# CX 02 4M



Male modular insert, Mixo series, crimp connection, 2 poles, 1 module, 40 A 1000 V 8 kV 3

#### Product description

<b>Product type</b>	Modular insert
<b>Series</b>	Mixo
<b>Connection type</b>	Crimp connection
<b>Gender</b>	Male
<b>N. of poles</b>	2 poles
<b>Size</b>	1 module
<b>Specification</b>	Standard & HNM (High Number of Matings)

#### Technical data

<b>Current</b>	40 A
<b>Voltage</b>	1000 V
<b>Rated impulse withstand voltage</b>	8 kV
<b>Pollution degree</b>	3
<b>Rated voltage according to UL/CSA</b>	600 V
<b>IP degree of protection</b>	IP20 without enclosure, IP65/IP66/IP68/IP69 with enclosure

#### Further technical details

<b>Characteristics according to EN 61984</b>	40A 1000V 8kV 3
<b>Mating cycles</b>	≥ 500
<b>Insulation resistance</b>	≥ 10 GΩ
<b>Contact resistance</b>	≤ 0,3 mΩ
<b>Weight</b>	25,50 g
<b>Operating temperature range (min, max)</b>	-40 °C ... +125 °C
<b>UL 94 flammability rating</b>	V-0

#### Material properties

<b>Main material</b>	Polycarbonate
<b>Colour</b>	RAL 7032 grey
<b>RoHs conformity</b>	Compliant
<b>China RoHs - EFUP</b>	E
<b>REACH SVHC substances</b>	No

#### Approvals / Standards

<b>Certifications</b>	CQC, DNV, BV, EAC
<b>UL</b>	ECBT2
<b>cUL</b>	ECBT8

#### General ordering information

<b>EAN13 code</b>	8015747234740
<b>eCl@ss 8.1</b>	27440205
<b>ETIM 7.0</b>	EC000438

#### Packaging Information

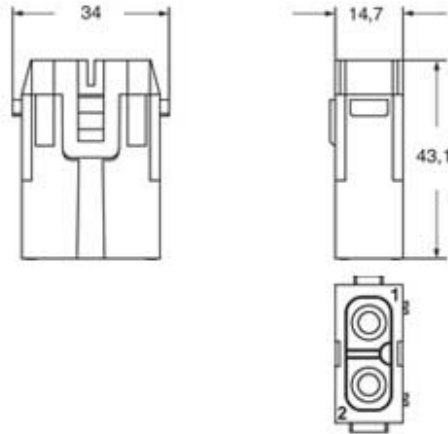
<b>Packaging length</b>	180,00 mm
<b>Packaging height</b>	120,00 mm
<b>Packaging width</b>	155,00 mm
<b>Packaging weight</b>	1,63 kg
<b>Packaging volume</b>	3,35 dm <sup>3</sup>
<b>Packaging description</b>	Carton box
<b>Packaging quantity</b>	60 Pcs
<b>Packaging EAN code</b>	8015747234771
<b>Sub-packaging length</b>	35,00 mm
<b>Sub-packaging height</b>	40,00 mm
<b>Sub-packaging width</b>	155,00 mm
<b>Sub-packaging weight</b>	0,27 kg
<b>Sub-packaging volume</b>	0,22 dm <sup>3</sup>
<b>Sub-packaging description</b>	Carton tray
<b>Sub-packaging quantity</b>	10 Pcs
<b>Sub-packaging EAN barcode</b>	8015747234788

Part number

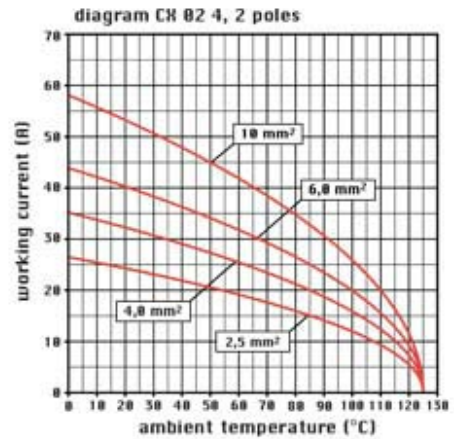
# CX 02 4M



## Catalogue drawings



## Derating curves



## Notes

STANDARD & HNM (High Number of Matings) MODULES

Standard:

-when in combination with standard contacts and standard frames (CX ... TF/TM), must be mounted either in traditional enclosures or in COB panel supports (both up to 500 matings).

HNM (High Number of Matings):

-when in combination with HNM contacts and HNM frames (RX ... TF/RM), must be mounted either in HNM enclosures (up to 10.000 matings) or in traditional enclosures with one lever (up to 5.000 matings).

Dimensions shown in mm are not binding and may be changed without notice.