

Part number

CX 02 JM



Male modular insert, Mixo Data series, RJ45, 3 modules, without connector, for 2 RJ45 connectors and 8 10 A CD contacts

Product description

Product type	Modular insert
Series	Mixo Data
Connection type	RJ45
Gender	Male
N. of poles	1 seat for RJ45 connector
Auxiliary poles	8 poles
Size	3 modules
Specification	For 2 RJ45 connectors and 8 10 A CD contacts RJ45, adapter for Cat. 6A male connector

Technical data

Current	1 A
Voltage	50 V
Rated voltage according to UL/CSA	600V
IP degree of protection	IP20 without enclosure, IP65/IP66/IP68/IP69 with enclosure

Further technical details

Characteristics according to EN 61984	10A 250V 4kV 3
Insulation resistance	≥ 10 GΩ
Contact resistance	≤ 3 mΩ
Weight	18,50 g
Operating temperature range (min, max)	-40°C ... +120°C
UL 94 flammability rating	V-0

Material properties

Main material	Polycarbonate (PC)
Colour	RAL 7032 grey
RoHs conformity	Compliant
China RoHs - EFUP	E
REACH SVHC substances	No

Approvals / Standards

Reference standard	EN 61984:2009-06
Certifications	CSA, CQC, DNV, BV, EAC
UL	ECBT2
cUL	ECBT8

General ordering information

EAN13 code	8015747166034
eCl@ss 8.1	27440205
ETIM 7.0	EC000438

Packaging Information

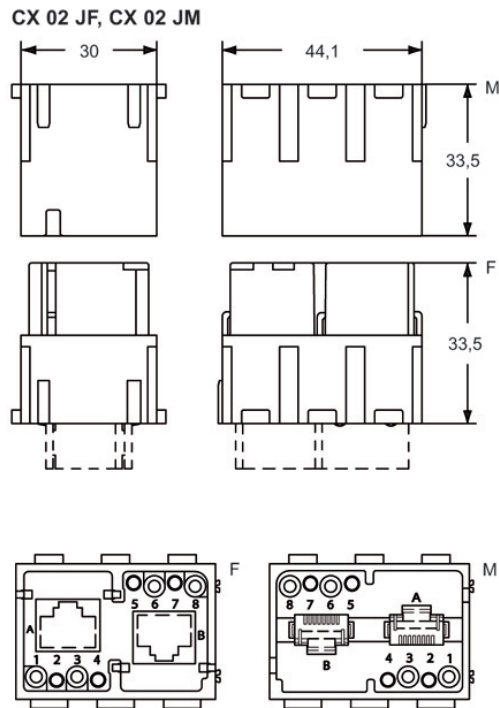
Sub-packaging length	195,00 mm
Sub-packaging height	40,00 mm
Sub-packaging width	60,00 mm
Sub-packaging weight	0,15 kg
Sub-packaging volume	0,47 dm ³
Sub-packaging description	Carton tray
Sub-packaging quantity	8 Pcs
Sub-packaging EAN barcode	8015747167543

Part number

CX 02 JM



Catalogue drawings



Notes

Standard modular inserts:

-in combination with standard contacts and standard frames (CX ... TF/TM); must be mounted either in traditional enclosures or in COB panel supports (both up to 500 matings).

Dimensions shown in mm are not binding and may be changed without notice.