

Part number

CX 04 BF



Female modular insert, Mixo Bus series,
coaxial, 4 poles, 10 A 50 V 0,8 kV 3, shielded

Product description

Product type	Modular insert
Series	Mixo Bus
Connection type	Coaxial
Gender	Female
N. of poles	4 poles
Specification	Shielded

Technical data

Current	10 A
Voltage	50 V
Rated impulse withstand voltage	0,8 kV
Pollution degree	3
Rated voltage according to UL/CSA	50 V
IP degree of protection	IP20 without enclosure, IP65/IP66/IP68/IP69 with enclosure

Further technical details

Characteristics according to EN 61984	10A 50V 0.8kV 3
Insulation resistance	≥ 10 GΩ
Contact resistance	≤ 3 mΩ
Weight	25,00 g
Operating temperature range (min, max)	-40°C ... +85°C
UL 94 flammability rating	V-0

Material properties

Main material	Polycarbonate
Colour	RAL 7032 grey
RoHs conformity	Compliant
China RoHs - EFUP	E
REACH SVHC substances	No

Approvals / Standards

Reference standard	EN 61984:2009-06
Certifications	CSA, CQC, DNV, EAC
UL	ECBT2
cUL	ECBT8

General ordering information

EAN13 code	8015747095983
eCl@ss 8.1	27440205
ETIM 7.0	EC000438

Packaging Information

Packaging weight	0,30 kg
Packaging description	Carton box
Packaging quantity	10 Pcs
Packaging EAN code	8015747095990
Sub-packaging length	185,00 mm
Sub-packaging height	40,00 mm
Sub-packaging width	155,00 mm
Sub-packaging weight	0,03 kg
Sub-packaging volume	1,15 dm ³
Sub-packaging description	Plastic bag
Sub-packaging quantity	1 Pcs
Sub-packaging EAN barcode	8015747096003

Part number

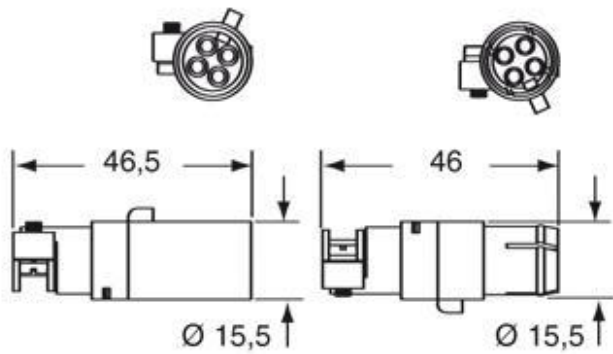
CX 04 BF



Catalogue drawings

CX 04 BF

CX 04 BM



Notes

Standard modular inserts:

-in combination with standard contacts and standard frames (CX ... TF/TM); must be mounted either in traditional enclosures or in COB panel supports (both up to 500 matings).

Dimensions shown in mm are not binding and may be changed without notice.
