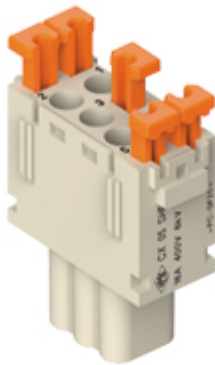


Part number

CX 05 SHF



Female modular insert, Mixo series, SQUICH® spring terminal connection without tools, 5 poles, 1 module, 16 A 400 V 6 kV 3

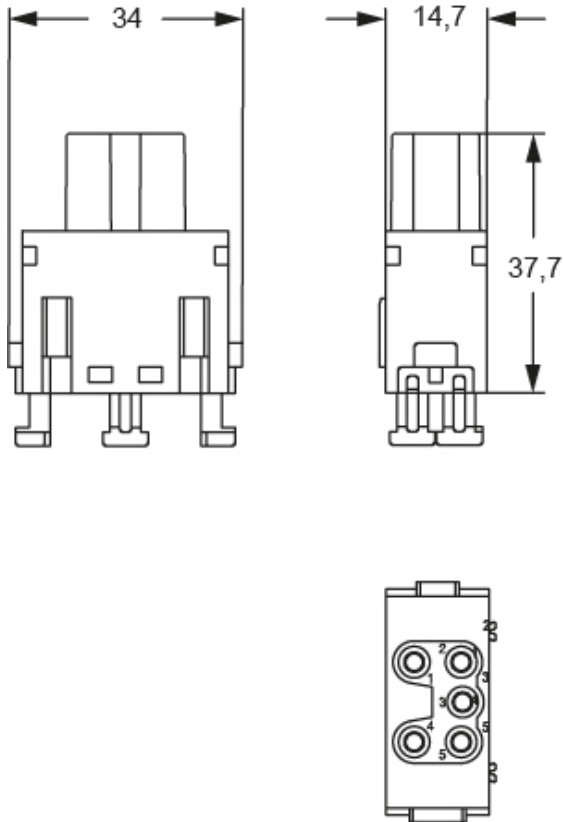
Product description		Material properties	
Product type	Modular insert	Main material	Polycarbonate
Series	Mixo	Colour	RAL 7032 grey
Connection type	SQUICH® spring terminal connection without tools	RoHs conformity	Compliant with exemption 6(c): copper alloy containing up to 4% lead by weight
Gender	Female	China RoHs - EFUP	50
N. of poles	5 poles	REACH SVHC substances	Yes Lead
Size	1 module	SCIP number	1a9c93ff-0445-4a16-81e3-1609ac5274d6
Technical data		Approvals / Standards	
Current	16 A	Certifications	DNV, BV, EAC, CQC
Voltage	400 V	UL	ECBT2, PVVA2
Rated impulse withstand voltage	6 kV	cUL	ECBT8, PVVA8
Pollution degree	3	General ordering information	
Rated voltage according to UL/CSA	600 V	EAN13 code	8015747263665
Wire cross-section	0,14 mm ² - 2,50 mm ²	eCl@ss 8.1	27440205
AWG size	26 - 14	ETIM 7.0	EC000438
Contact type	Turned silver plated	Packaging Information	
IP degree of protection	IP20 without enclosure, IP65/IP66/IP68/IP69 with enclosure	Packaging length	180,00 mm
Further technical details		Packaging height	120,00 mm
Characteristics according to EN 61984	16 A 400 V 6 kV 3	Packaging width	155,00 mm
Mating cycles	≥ 500	Packaging weight	1,26 kg
Insulation resistance	≥ 10 GΩ	Packaging volume	3,35 dm ³
Contact resistance	≤ 3 mΩ	Packaging description	Carton box
Weight	18,00 g	Packaging quantity	60 Pcs
Operating temperature range (min, max)	-40 °C ... +125 °C	Packaging EAN code	8015747263672
Conductors stripping length	9...11 mm	Sub-packaging length	155,00 mm
UL 94 flammability rating	UL 94V-0	Sub-packaging height	48,00 mm
		Sub-packaging width	35,00 mm
		Sub-packaging weight	0,21 kg
		Sub-packaging volume	0,26 dm ³
		Sub-packaging description	Carton tray
		Sub-packaging quantity	10 Pcs
		Sub-packaging EAN barcode	8015747263689

Part number

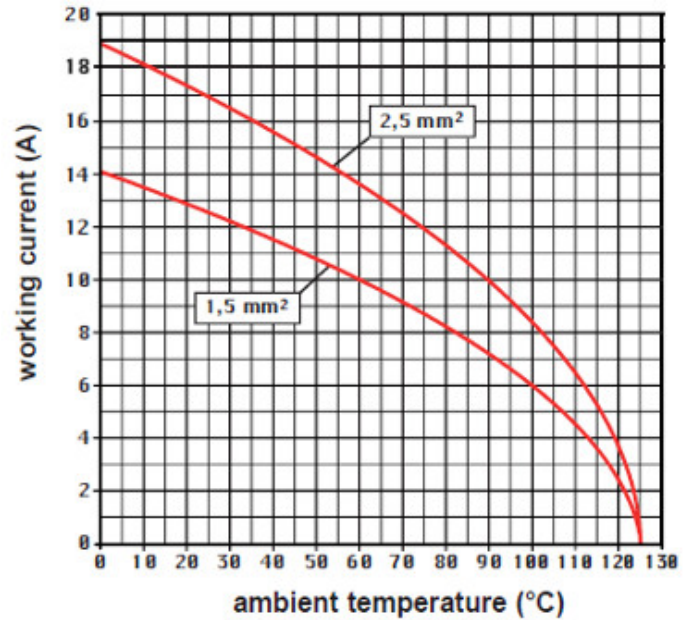
CX 05 SHF



Catalogue drawings



Derating curves



Notes

Standard modular inserts:

-in combination with standard contacts and standard frames (CX ... TF/TM); must be mounted either in traditional enclosures or in COB panel supports (both up to 500 matings).

Dimensions shown in mm are not binding and may be changed without notice.

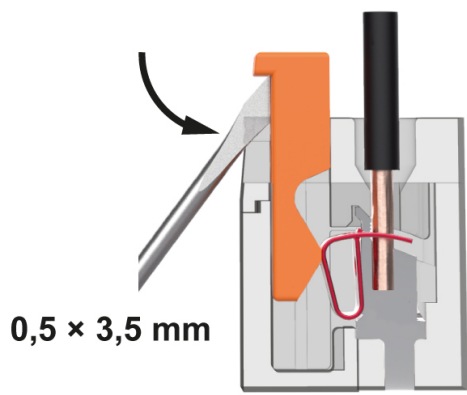
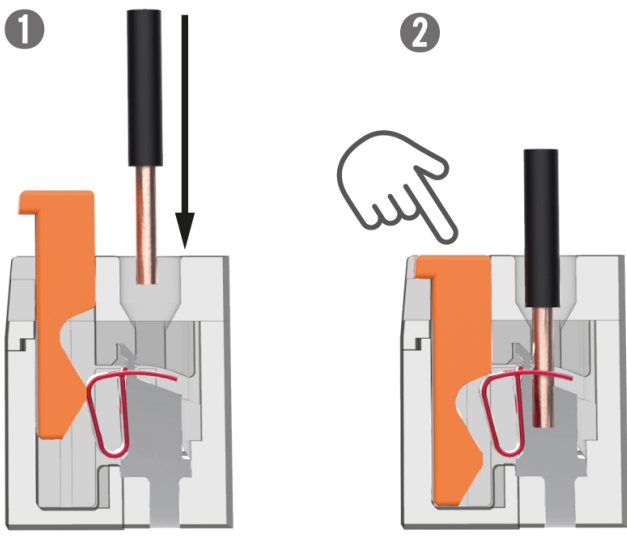
California Proposition 65 Information



WARNING

This product can expose you to lead and its compounds, known to the State of California to cause cancer and/or reproductive toxicity. For more information go to www.P65Warnings.ca.gov.

SQUICH® connection with actuator button



Reopening
