

Part number

CX 06 CYM



Male modular insert, Mixo series, AXYR® spring push-in terminal connection without tools, 6 poles, 1 module, 16 A 500 V 6 kV 3

Product description

Product type	Modular insert
Series	Mixo
Connection type	AXYR® high density spring terminal connection without tools
Gender	Male
N. of poles	6 poles
Size	1 module

Technical data

Current	16 A
Voltage	500 V
Rated impulse withstand voltage	6 kV
Pollution degree	3
Rated voltage according to UL/CSA	600 V
Wire cross-section	0,25 mm ² - 4,00 mm ²
AWG size	24 - 12
Contact type	Turned silver plated
IP degree of protection	IP20 without enclosure, IP65/IP66/IP68/IP69 with enclosure

Further technical details

Characteristics according to EN 61984	16 A 500 V 6 kV 3
Mating cycles	≥ 500
Insulation resistance	≥ 10 GΩ
Contact resistance	≤ 3 mΩ
Weight	19,50 g
Operating temperature range (min, max)	-40 °C ... +125 °C
Conductors stripping length	9...11 mm
UL 94 flammability rating	V-0

Material properties

Main material	Polycarbonate (PC)
Other materials	Contacts: copper alloy
Colour	RAL 7032 grey
RoHs conformity	Compliant with exemption 6(c): copper alloy containing up to 4% lead by weight
China RoHs - EFUP	50
REACH SVHC substances	Yes Lead

General ordering information

EAN13 code	8015747284264
eCl@ss 8.1	27440205
ETIM 7.0	EC000438

Packaging Information

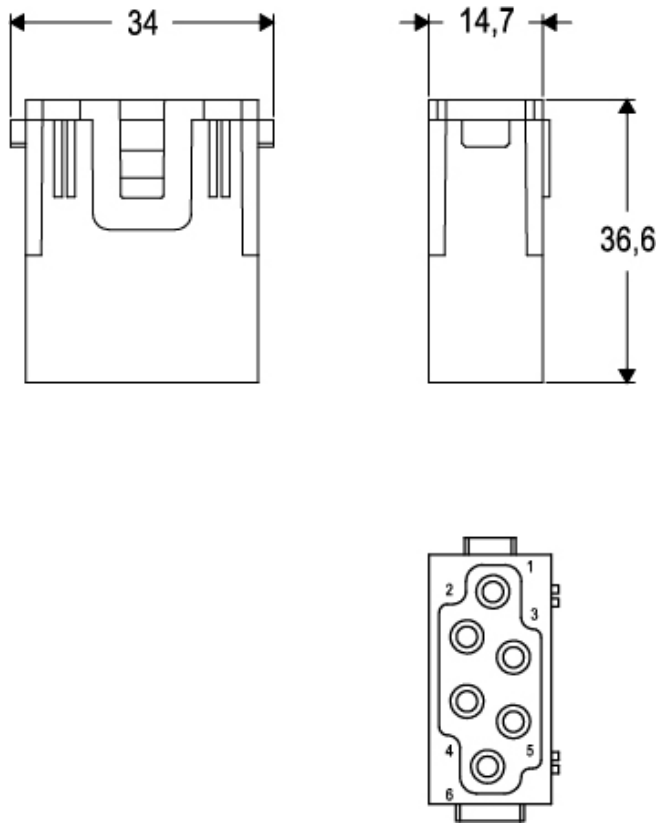
Packaging length	220,00 mm
Packaging height	130,00 mm
Packaging width	240,00 mm
Packaging weight	1,45 kg
Packaging volume	6,86 dm ³
Packaging description	Carton box
Packaging quantity	60 Pcs
Packaging EAN code	8015747284271
Sub-packaging weight	0,02 kg
Sub-packaging description	Plastic bag
Sub-packaging quantity	1 Pcs
Sub-packaging EAN barcode	8015747139861

Part number

CX 06 CYM

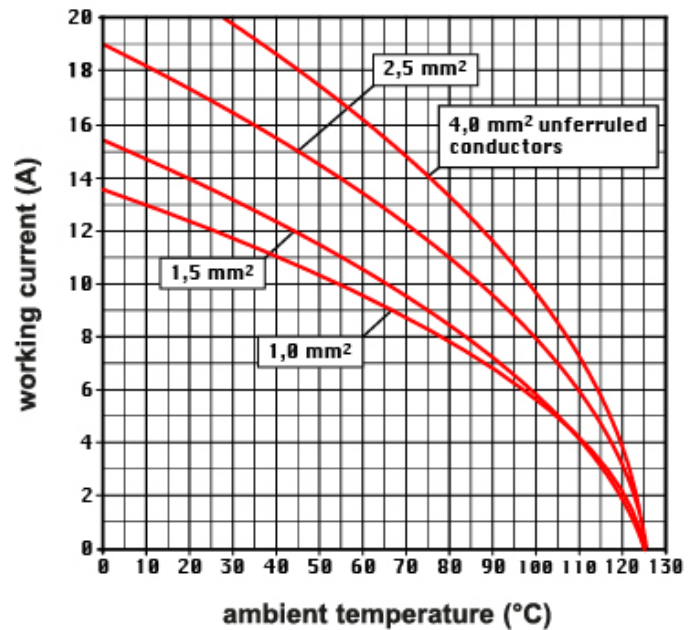


Catalogue drawings



Derating curves

CX..CY 6 poles connector inserts
Maximum current load derating diagram



Notes

Standard modular inserts:

-in combination with standard contacts and standard frames (CX ... TF/TM); must be mounted either in traditional enclosures or in COB panel supports (both up to 500 matings).

Dimensions shown in mm are not binding and may be changed without notice.

AXYR® Mixo series inserts for wires with the following cross-sectional areas either ferruled or unferruled:

- modules from 6 to 8 poles
0,25 - 4 mm² (24 - 12 AWG)
for prepared wires useable section:
0,25 - 2,5 mm² (24 - 14 AWG)

-12 poles modules
0,14 - 2,5 mm² (26 - 14 AWG)
for prepared wires useable section:
0,14 - 1,5 mm² (26 - 16 AWG)