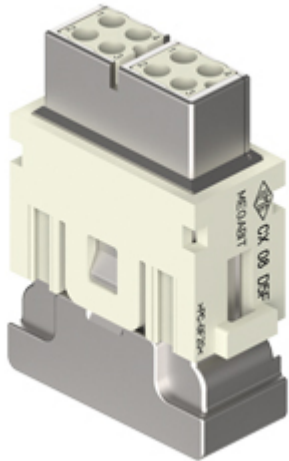


Part number

CX 08 D5F



Female modular insert, Mixo Megabit series, crimp connection, 8 poles, 1 module, 10 A 50 V 0,8 kV 3, shielded, 1 cable entry

Product description

Product type	Modular insert
Series	Mixo Megabit
Connection type	Crimp connection with shield
Gender	Female
N. of poles	8 poles
Size	1 module
Specification	1 cable entry Shielded

Technical data

Current	10 A
Voltage	50 V
Rated impulse withstand voltage	0,8 kV
Pollution degree	3
Rated voltage according to UL/CSA	50 V
IP degree of protection	IP20 without enclosure, IP65/IP66/IP68/IP69 with enclosure

Further technical details

Characteristics according to EN 61984	10 A 50 V 0,8 kV 3
Mating cycles	≥ 500
Insulation resistance	≥ 10 GΩ
Contact resistance	≤ 3 mΩ
Weight	46,00 g
Operating temperature range (min, max)	-40 °C ... +85 °C
UL 94 flammability rating	V-0

Material properties

Main material	Polycarbonate (PC)
Other materials	Shield: zinc alloy
Colour	RAL 7032 grey
RoHs conformity	Compliant
China RoHs - EFUP	E
REACH SVHC substances	No

Approvals / Standards

Certifications	DNV
UL	ECBT2
cUL	ECBT8

General ordering information

EAN13 code	8015747270946
eCl@ss 8.1	27440205
ETIM 7.0	EC000438

Packaging Information

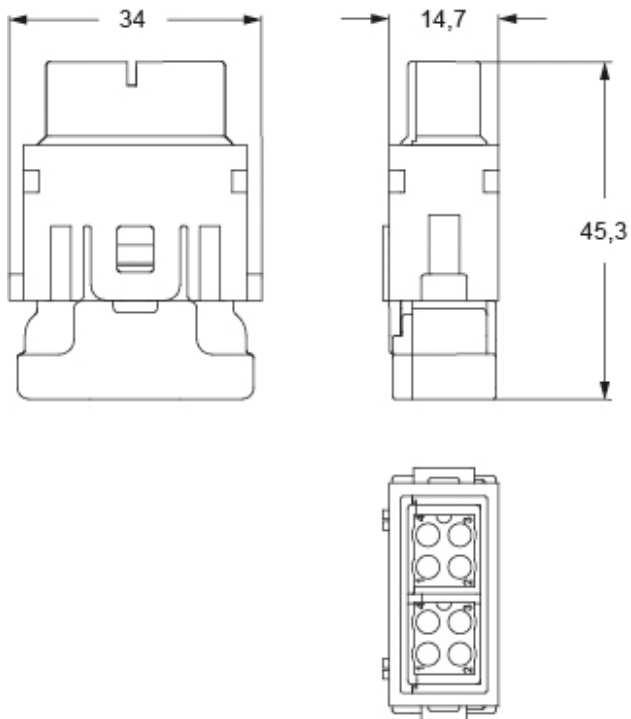
Packaging weight	0,51 kg
Packaging volume	1,24 dm ³
Packaging description	Carton box
Packaging quantity	10 Pcs
Packaging EAN code	8015747270953
Sub-packaging length	116,00 mm
Sub-packaging height	113,00 mm
Sub-packaging width	142,00 mm
Sub-packaging weight	0,05 kg
Sub-packaging volume	1,86 dm ³
Sub-packaging description	Plastic bag
Sub-packaging quantity	1 Pcs
Sub-packaging EAN barcode	8015747270960

Part number

CX 08 D5F



Catalogue drawings



Notes

Standard modular inserts:

-in combination with standard contacts and standard frames (CX ... TF/TM); must be mounted either in traditional enclosures or in COB panel supports (both up to 500 matings).

Dimensions shown in mm are not binding and may be changed without notice.

Cat 5, class D up to 100 MHz
