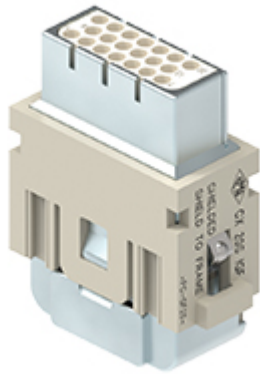


Part number

CX 20S IGF



Female modular insert, Mixo series, crimp connection, 20 poles, 1 module, 4 A 32 V 0,8 kV 3, shielded, with additional PE connection

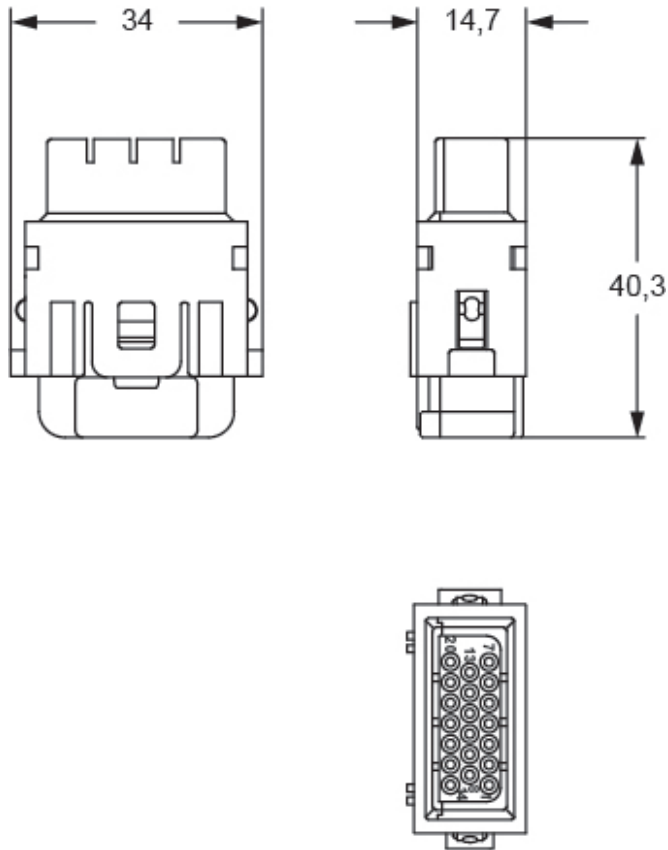
Product description		Material properties	
Product type	Modular insert	Main material	Polycarbonate (PC)
Series	Mixo	Other materials	Shield: zinc alloy
Connection type	Crimp connection	Colour	RAL 7032 grey
Gender	Female	RoHs conformity	Compliant
N. of poles	20 poles	China RoHs - EFUP	E
Size	1 module	REACH SVHC substances	No
Specification	Shielded, with additional PE connection	Approvals / Standards	
Technical data		UL	ECBT2
Current	4 A	cUL	ECBT8
Voltage	32 V	General ordering information	
Rated impulse withstand voltage	0,8 kV	EAN13 code	8015747280051
Pollution degree	3	eCl@ss 8.1	27440205
Rated voltage according to UL/CSA	32 V	ETIM 7.0	EC000438
IP degree of protection	IP20 without enclosure, IP65/IP66/IP68/IP69 with enclosure	Packaging Information	
Further technical details		Packaging weight	0,45 kg
Characteristics according to EN 61984	4 A 32 V 0,8 kV 3	Packaging volume	1,24 dm ³
Mating cycles	≥ 500	Packaging description	Carton box
Insulation resistance	≥ 10 GΩ	Packaging quantity	10 Pcs
Contact resistance	≤ 4 mΩ	Packaging EAN code	8015747280112
Weight	34,50 g	Sub-packaging length	116,00 mm
Operating temperature range (min, max)	-40°C ... +85°C	Sub-packaging height	113,00 mm
UL 94 flammability rating	V-0	Sub-packaging width	142,00 mm
		Sub-packaging weight	0,05 kg
		Sub-packaging volume	1,86 dm ³
		Sub-packaging description	Plastic bag
		Sub-packaging quantity	1 Pcs
		Sub-packaging EAN barcode	8015747280129

Part number

CX 20S IGF



Catalogue drawings



Notes

Standard modular inserts:

-in combination with standard contacts and standard frames (CX ... TF/TM); must be mounted either in traditional enclosures or in COB panel supports (both up to 500 matings).

Dimensions shown in mm are not binding and may be changed without notice.
