

Part number

# CX 20S IGM



Male modular insert, Mixo series, crimp connection, 20 poles, 1 module, 4 A 32 V 0,8 kV 3, shielded, with additional PE connection

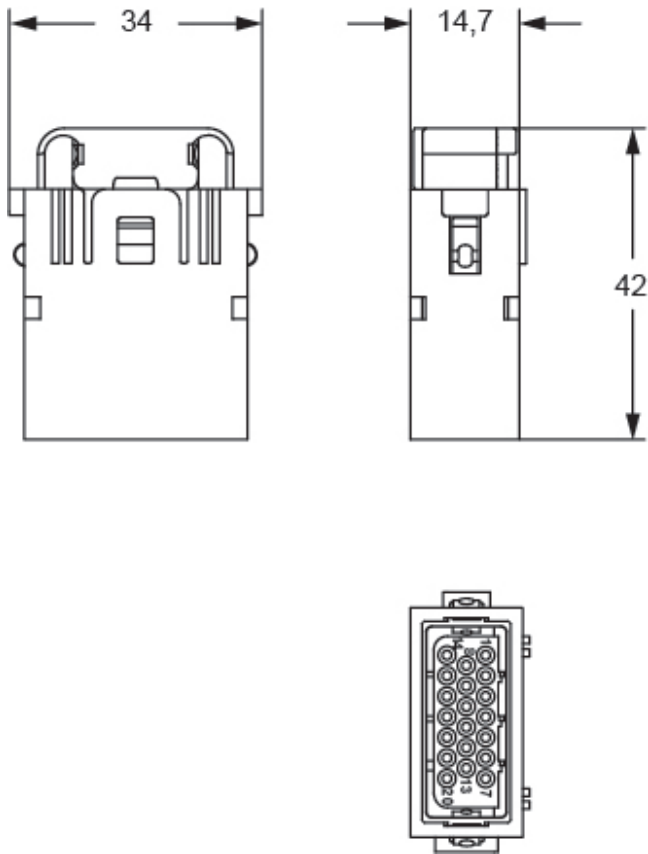
Product description		Material properties	
<b>Product type</b>	Modular insert	<b>Main material</b>	Polycarbonate (PC)
<b>Series</b>	Mixo	<b>Other materials</b>	Shield: zinc alloy
<b>Connection type</b>	Crimp connection	<b>Colour</b>	RAL 7032 grey
<b>Gender</b>	Male	<b>RoHs conformity</b>	Compliant
<b>N. of poles</b>	20 poles	<b>China RoHs - EFUP</b>	E
<b>Size</b>	1 module	<b>REACH SVHC substances</b>	No
<b>Specification</b>	Shielded, with additional PE connection	<b>Approvals / Standards</b>	
<b>Technical data</b>		<b>UL</b>	ECBT2
<b>Current</b>	4 A	<b>cUL</b>	ECBT8
<b>Voltage</b>	32 V	<b>General ordering information</b>	
<b>Rated impulse withstand voltage</b>	0,8 kV	<b>EAN13 code</b>	8015747280068
<b>Pollution degree</b>	3	<b>eCl@ss 8.1</b>	27440205
<b>Rated voltage according to UL/CSA</b>	32 V	<b>ETIM 7.0</b>	EC000438
<b>IP degree of protection</b>	IP20 without enclosure, IP65/IP66/IP68/IP69 with enclosure	<b>Packaging Information</b>	
<b>Further technical details</b>		<b>Packaging weight</b>	0,47 kg
<b>Characteristics according to EN 61984</b>	4 A 32 V 0,8 kV 3	<b>Packaging volume</b>	1,24 dm <sup>3</sup>
<b>Mating cycles</b>	≥ 500	<b>Packaging description</b>	Carton box
<b>Insulation resistance</b>	≥ 10 GΩ	<b>Packaging quantity</b>	10 Pcs
<b>Contact resistance</b>	≤ 4 mΩ	<b>Packaging EAN code</b>	8015747280136
<b>Weight</b>	36,50 g	<b>Sub-packaging length</b>	116,00 mm
<b>Operating temperature range (min, max)</b>	-40°C ... +85°C	<b>Sub-packaging height</b>	113,00 mm
<b>UL 94 flammability rating</b>	V-0	<b>Sub-packaging width</b>	142,00 mm
		<b>Sub-packaging weight</b>	0,05 kg
		<b>Sub-packaging volume</b>	1,86 dm <sup>3</sup>
		<b>Sub-packaging description</b>	Plastic bag
		<b>Sub-packaging quantity</b>	1 Pcs
		<b>Sub-packaging EAN barcode</b>	8015747280143

Part number

# CX 20S IGM



## Catalogue drawings



---

## Notes

Standard modular inserts:

-in combination with standard contacts and standard frames (CX ... TF/TM); must be mounted either in traditional enclosures or in COB panel supports (both up to 500 matings).

---

Dimensions shown in mm are not binding and may be changed without notice.

---