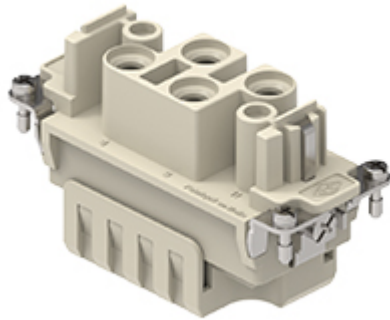


Part number

# CXCF 4/2



Female insert, CXC series, crimp connection, 4 + 2 poles + PE, 80 A 830 V 8 kV 3 / 16 A 400 V 6 kV 3, size "77.27"

Product description	
<b>Product type</b>	Insert
<b>Series</b>	CXC
<b>Connection type</b>	Crimp connection
<b>Gender</b>	Female
<b>N. of poles</b>	4 poles + $\oplus$
<b>Auxiliary poles</b>	2 poles
<b>Size</b>	Size 77.27
Technical data	
<b>Current</b>	80 A
<b>Voltage</b>	830 V
<b>Rated impulse withstand voltage</b>	8 kV
<b>Pollution degree</b>	3
<b>Rated voltage according to UL/CSA</b>	600 V
<b>Wire cross-section</b>	6,00 mm <sup>2</sup> - 25,00 mm <sup>2</sup>
<b>AWG size</b>	10 - 3
<b>IP degree of protection</b>	IP20 without enclosure, IP65/IP66/IP68/IP69 with enclosure
Further technical details	
<b>Characteristics according to EN 61984</b>	80 A 830 V 8 kV 3 / 16 A 400 V 6 kV 3
<b>Mating cycles</b>	≥ 500
<b>Insulation resistance</b>	≥ 10 GΩ
<b>Contact resistance</b>	≤ 0,3 mΩ (4 poles), ≤ 1 mΩ (2 poles)
<b>Weight</b>	68,50 g
<b>Operating temperature range (min, max)</b>	-40°C...+125°C
<b>UL 94 flammability rating</b>	V-0

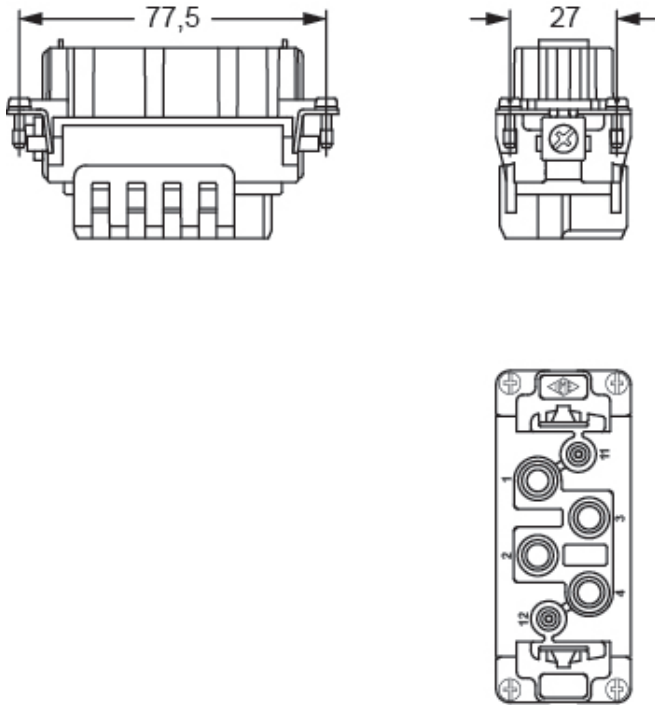
Material properties	
<b>Main material</b>	Polycarbonate (PC)
<b>Colour</b>	RAL 7032 grey
<b>RoHs conformity</b>	Compliant
<b>China RoHs - EFUP</b>	E
<b>REACH SVHC substances</b>	No
Approvals / Standards	
<b>Certifications</b>	DNV
General ordering information	
<b>EAN13 code</b>	8015747100021
<b>eCl@ss 8.1</b>	27440205
<b>ETIM 7.0</b>	EC000438
Packaging Information	
<b>Packaging length</b>	245,00 mm
<b>Packaging height</b>	165,00 mm
<b>Packaging width</b>	215,00 mm
<b>Packaging weight</b>	2,34 kg
<b>Packaging volume</b>	8,69 dm <sup>3</sup>
<b>Packaging description</b>	Carton box
<b>Packaging quantity</b>	30 Pcs
<b>Packaging EAN code</b>	8015747280570
<b>Sub-packaging length</b>	87,00 mm
<b>Sub-packaging height</b>	36,00 mm
<b>Sub-packaging width</b>	180,00 mm
<b>Sub-packaging weight</b>	0,39 kg
<b>Sub-packaging volume</b>	0,56 dm <sup>3</sup>
<b>Sub-packaging description</b>	Carton tray
<b>Sub-packaging quantity</b>	5 Pcs
<b>Sub-packaging EAN barcode</b>	8015747127820

Part number

**CXCF 4/2**

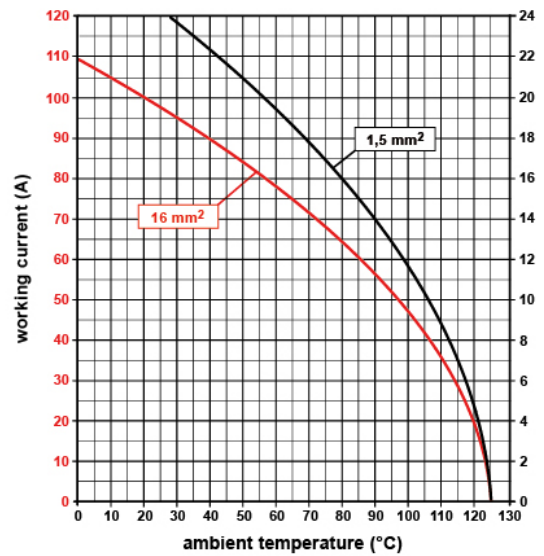
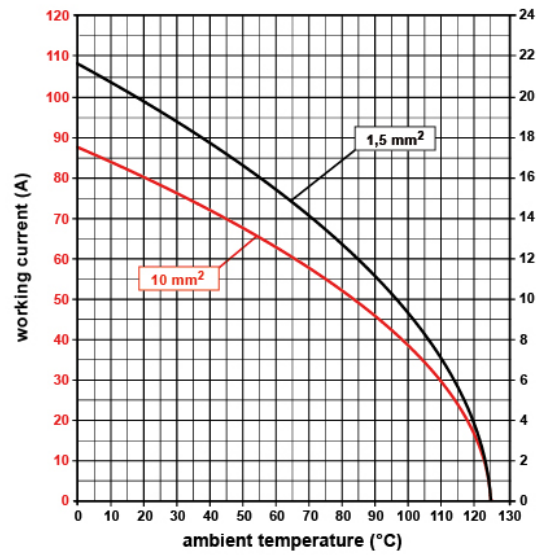
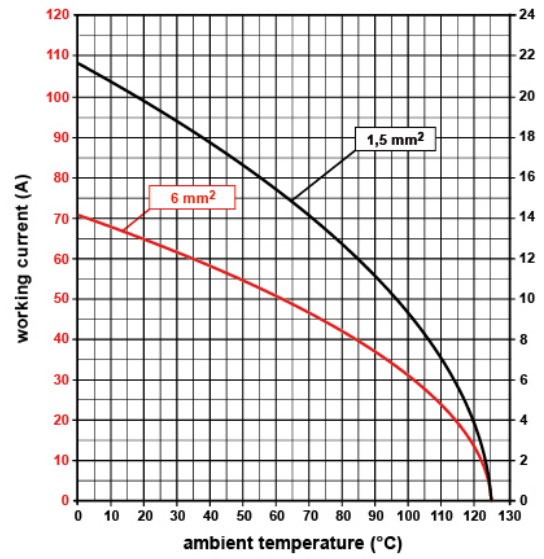


## Catalogue drawings



## Derating curves

CXC 4/2 poles connector inserts  
Maximum current load derating diagrams



---

## Notes

Dimensions shown in mm are not binding and may be changed without notice.

---