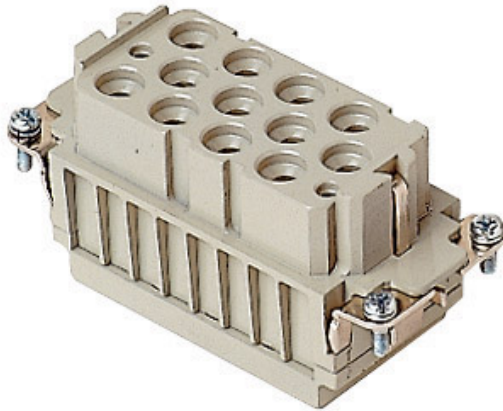



Part number

CXF 12/2



Female insert, CX series, crimp connection, 12 + 2 poles + PE, 40 A 690 V 8 kV 3 / 10 A 250 V 4 kV 3, size "77.27"

Product description

| | |
|------------------------|--|
| Product type | Insert |
| Series | CX |
| Connection type | Crimp connection |
| Gender | Female |
| N. of poles | 12 poles +  |
| Auxiliary poles | 2 poles |
| Size | Size 77.27 |

Technical data

| | |
|--|--|
| Current | 40 A |
| Voltage | 690 V |
| Rated impulse withstand voltage | 8 kV |
| Pollution degree | 3 |
| Rated voltage according to UL/CSA | 600 V |
| IP degree of protection | IP20 without enclosure, IP65/IP66/IP68/IP69 with enclosure |

Further technical details

| | |
|---|-------------------------------------|
| Characteristics according to EN 61984 | 40A 690V 8kV 3 (aux:10A 250V 4kV 3) |
| Mating cycles | ≥ 500 |
| Insulation resistance | ≥ 10 GΩ |
| Weight | 81,00 g |
| Operating temperature range (min, max) | -40 °C ... +125 °C |
| UL 94 flammability rating | V-0 |

Material properties

| | |
|------------------------------|--------------------|
| Main material | Polycarbonate (PC) |
| Colour | RAL 7032 grey |
| RoHs conformity | Compliant |
| China RoHs - EFUP | E |
| REACH SVHC substances | No |

Approvals / Standards

| | |
|---------------------------|-------------------------|
| Reference standard | EN 61984:2009-06 |
| Certifications | CSAc, CQC, DNV, BV, EAC |
| UL | ECBT2 |

General ordering information

| | |
|-------------------|---------------|
| EAN13 code | 8015747042260 |
| eCl@ss 8.1 | 27440205 |
| ETIM 7.0 | EC000438 |

Packaging Information

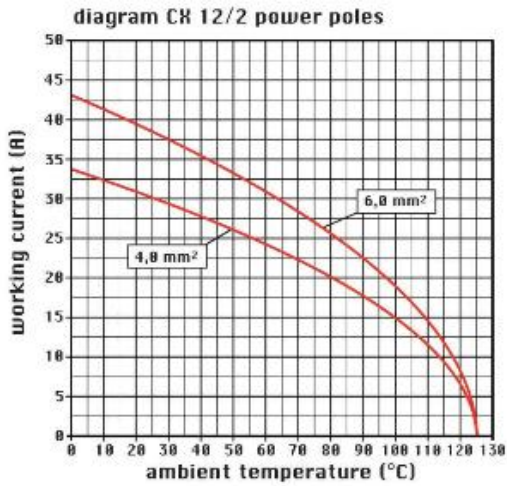
| | |
|----------------------------------|----------------------|
| Packaging length | 195,00 mm |
| Packaging height | 110,00 mm |
| Packaging width | 195,00 mm |
| Packaging weight | 1,96 kg |
| Packaging volume | 4,18 dm ³ |
| Packaging description | Carton box |
| Packaging quantity | 20 Pcs |
| Packaging EAN code | 8015747098557 |
| Sub-packaging length | 87,00 mm |
| Sub-packaging height | 36,00 mm |
| Sub-packaging width | 180,00 mm |
| Sub-packaging weight | 0,49 kg |
| Sub-packaging volume | 0,56 dm ³ |
| Sub-packaging description | Carton tray |
| Sub-packaging quantity | 5 Pcs |
| Sub-packaging EAN barcode | 8015747042277 |

Part number

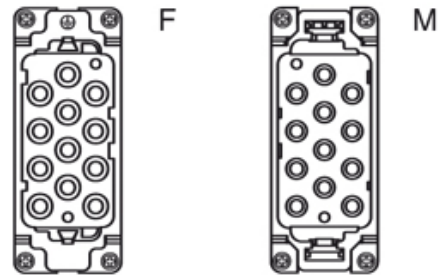
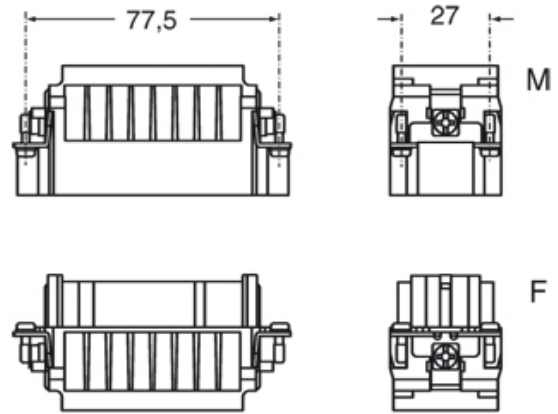
CXF 12/2



Catalogue drawings



Catalogue drawings



Notes

California Proposition 65 Information



WARNING

This product can expose you to nickel compounds, known to the State of California to cause cancer and/or reproductive toxicity. For more information go to www.P65Warnings.ca.gov.

Dimensions shown in mm are not binding and may be changed without notice.