

Part number

CXF 4/0 RY



Female insert, CX RY series, screw terminal connection, 4 poles + PE, 80 A 830 V 8 kV 3, size "77.27", for applications up to 180°C

| Product description | | Material properties | |
|---|--|----------------------------------|--|
| Product type | Insert | Main material | Polyphenylene sulfide (PPS) |
| Series | CX RY | Other materials | Contacts: copper alloy |
| Connection type | Screw terminal connection | | Compliant with exemption 6(c): copper alloy containing up to 4% lead by weight |
| Gender | Female | RoHs conformity | |
| N. of poles | 4 poles + | China RoHs - EFUP | 50 |
| Size | Size 77.27 | REACH SVHC substances | Yes Lead |
| Specification | For applications up to 180°C | SCIP number | 1a9c93ff-0445-4a16-81e3-1609ac5274d6 |
| Technical data | | Approvals / Standards | |
| Current | 80 A | Reference standard | EN 61984:2009-06 |
| Voltage | 830 V | Certifications | CSA, CQC, DNV, BV, EAC |
| Rated impulse withstand voltage | 8 kV | UL | ECBT2 |
| Pollution degree | 3 | cUL | ECBT8 |
| Rated voltage according to UL/CSA | 600 V | General ordering information | |
| Wire cross-section | 4,00 mm ² - 16,00 mm ² | EAN13 code | 8015747153065 |
| AWG size | 12 - 6 | eCl@ss 8.1 | 27440205 |
| Contact type | Turned silver plated | ETIM 7.0 | EC000438 |
| IP degree of protection | IP20 without enclosure, IP65 with enclosure | Packaging Information | |
| Further technical details | | Packaging length | 245,00 mm |
| Characteristics according to EN 61984 | 80A 830V 8kV 3 | Packaging height | 165,00 mm |
| Mating cycles | ≥ 500 | Packaging width | 215,00 mm |
| Insulation resistance | ≥ 10 GΩ | Packaging weight | 3,95 kg |
| Contact resistance | ≤ 0,3 mΩ | Packaging volume | 8,69 dm ³ |
| Weight | 120,40 g | Packaging description | Carton box |
| Operating temperature range (min, max) | -40°C ... +180°C | Packaging quantity | 30 Pcs |
| UL 94 flammability rating | V-0 | Packaging EAN code | 8015747153225 |
| | | Sub-packaging length | 87,00 mm |
| | | Sub-packaging height | 36,00 mm |
| | | Sub-packaging width | 180,00 mm |
| | | Sub-packaging weight | 0,66 kg |
| | | Sub-packaging volume | 0,56 dm ³ |
| | | Sub-packaging description | Carton tray |
| | | Sub-packaging quantity | 5 Pcs |
| | | Sub-packaging EAN barcode | 8015747153232 |

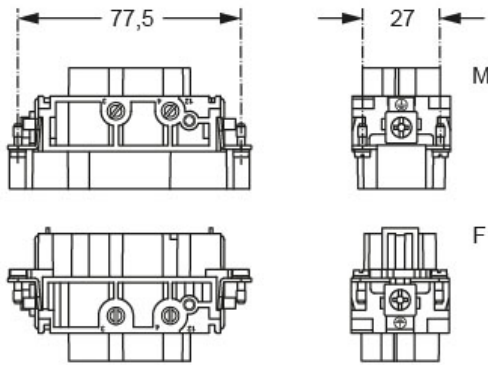
Part number

CXF 4/0 RY

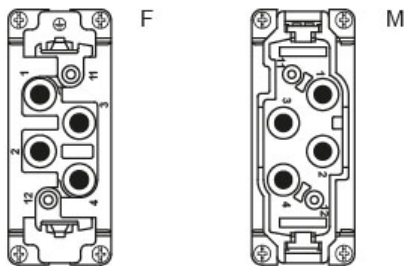


Catalogue drawings

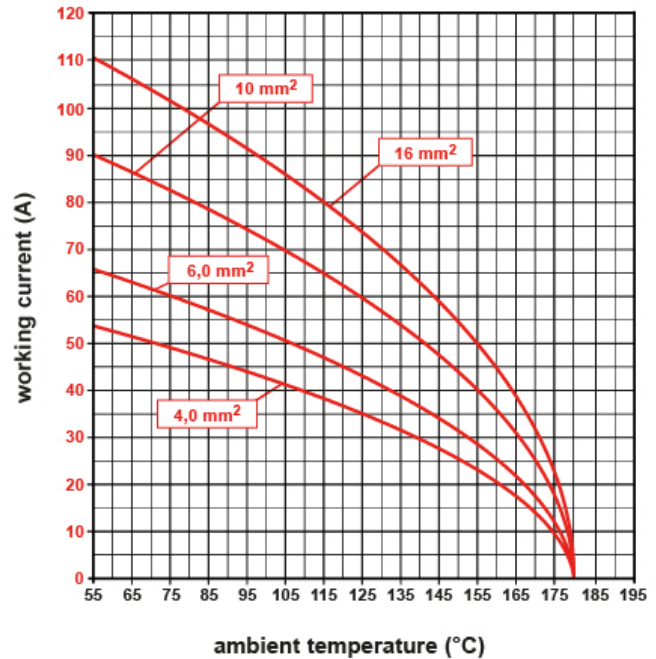
Derating curves



contacts side (front view)



CX RY 4/0 poles connector inserts
Maximum current load derating diagram



Notes

Dimensions shown in mm are not binding and may be changed without notice.

California Proposition 65 Information



WARNING

This product can expose you to lead and its compounds, known to the State of California to cause cancer and/or reproductive toxicity. For more information go to www.P65Warnings.ca.gov.

California Proposition 65 Information



WARNING

This product can expose you to lead and its compounds, known to the State of California to cause cancer and/or reproductive toxicity. For more information go to www.P65Warnings.ca.gov.