


Part number

CXF 6/12



Female insert, CX series, crimp connection, 6 + 12 poles + PE, 40 A 690 V 8 kV 3 / 10 A 230/400 V 4 kV 3, size "77.27"

Product description

Product type	Insert
Series	CX
Connection type	Crimp connection
Gender	Female
N. of poles	6 poles + 
Auxiliary poles	12D
Size	Size 77.27

Technical data

Current	40 A
Voltage	690 V
Rated impulse withstand voltage	8 kV
Pollution degree	3
Rated voltage according to UL/CSA	600 V
IP degree of protection	IP20 without enclosure, IP65/IP66/IP68/IP69 with enclosure

Further technical details

Characteristics according to EN 61984	40A 690V 8kV 3; 10A 230/400V 4kV 3
Mating cycles	≥ 500
Insulation resistance	≥ 10 GΩ
Contact resistance	≤ 0,3 mΩ (6 poles); ≤ 1 mΩ (12 poles)
Weight	90,00 g
Operating temperature range (min, max)	-40 °C ... +125 °C
UL 94 flammability rating	V-0

Material properties

Main material	Polycarbonate (PC)
Colour	RAL 7032 grey
RoHs conformity	Compliant
China RoHs - EFUP	E
REACH SVHC substances	No

Approvals / Standards

Reference standard	EN 61984:2009-06
Certifications	DNV, BV, EAC
UL	ECBT2
cUL	ECBT8

General ordering information

EAN13 code	8015747225076
eCl@ss 8.1	27440205
ETIM 7.0	EC000438

Packaging Information

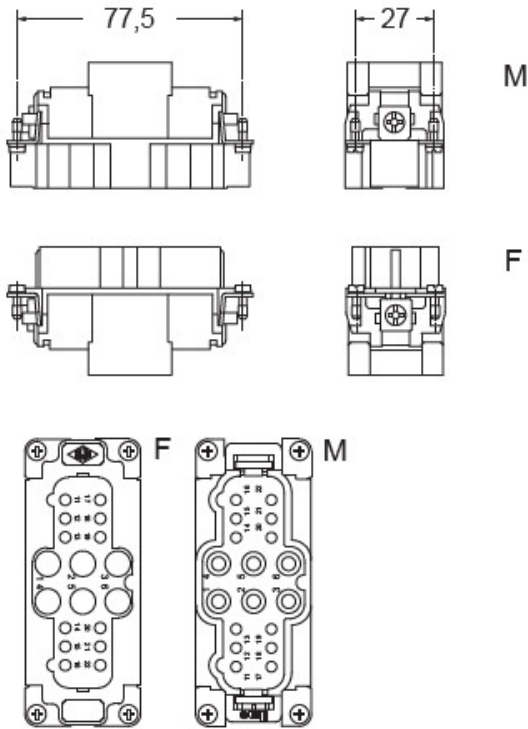
Packaging length	245,00 mm
Packaging height	165,00 mm
Packaging width	215,00 mm
Packaging weight	2,70 kg
Packaging volume	8,69 dm ³
Packaging description	Carton box
Packaging quantity	30 Pcs
Packaging EAN code	8015747225090
Sub-packaging length	87,00 mm
Sub-packaging height	36,00 mm
Sub-packaging width	180,00 mm
Sub-packaging weight	0,45 kg
Sub-packaging volume	0,56 dm ³
Sub-packaging description	Carton tray
Sub-packaging quantity	5 Pcs
Sub-packaging EAN barcode	8015747225106

Part number

CXF 6/12

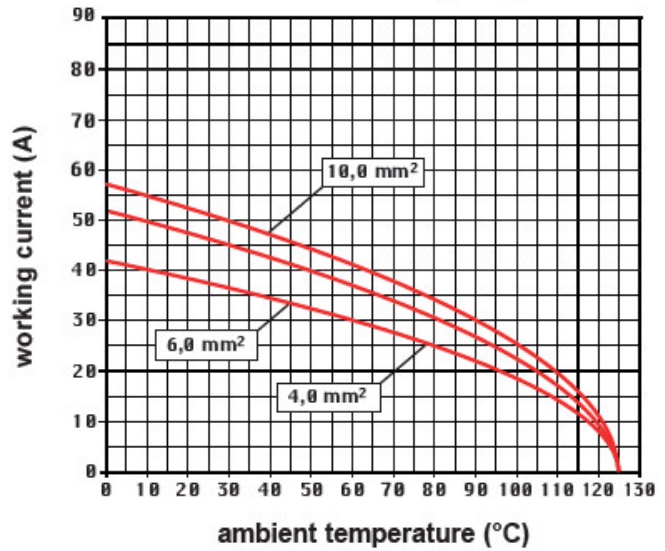


Catalogue drawings



Derating curves

CX 6/12 power poles connector inserts
Maximum current load derating diagram



Notes

California Proposition 65 Information



WARNING

This product can expose you to nickel compounds, known to the State of California to cause cancer and/or reproductive toxicity. For more information go to www.P65Warnings.ca.gov.

Dimensions shown in mm are not binding and may be changed without notice.