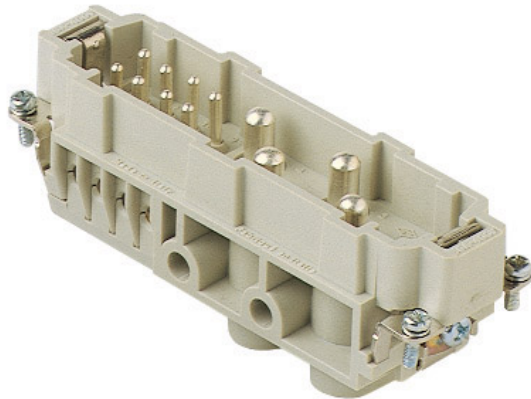


Part number

CXM 4/8



Male insert, CX series, screw terminal connection, 4 + 8 poles + PE, 80 A 400 V 6 kV 3 / 16 A 230/400 V 4 kV 3, size "104.27"

Product description		Material properties	
Product type	Insert	Main material	Polycarbonate (PC)
Series	CX	Other materials	Contacts: copper alloy
Connection type	Screw terminal connection	Colour	RAL 7032 grey
Gender	Male		Compliant with exemption 6(c): copper alloy containing up to 4% lead by weight
N. of poles	4 poles +	RoHs conformity	
Auxiliary poles	8 poles	China RoHs - EFUP	50
Size	Size 104.27	REACH SVHC substances	Yes Lead
Technical data		SCIP number	1a9c93ff-0445-4a16-81e3-1609ac5274d6
Current	80 A	Approvals / Standards	
Voltage	400 V	Reference standard	EN 61984:2009-06
Rated impulse withstand voltage	6 kV	Certifications	CSA, CQC, DNV, BV, EAC
Pollution degree	3	UL	ECBT2
Rated voltage according to UL/CSA	600 V	cUL	ECBT8
Wire cross-section	4,00 mm ² - 16,00 mm ²	General ordering information	
AWG size	12 - 6	EAN13 code	8015747042635
Contact type	Turned silver plated	eCl@ss 8.1	27440205
IP degree of protection	IP20 without enclosure, IP65/IP66/IP68/IP69 with enclosure	ETIM 7.0	EC000438
Further technical details		Packaging Information	
Characteristics according to EN 61984	80A 400V 6kV 3 (aux:16A 230/400V 4kV 3); 80A 400/690V 6kV 2 (aux:16A 400V 4kV 2)	Packaging length	245,00 mm
Mating cycles	≥ 500	Packaging height	165,00 mm
Insulation resistance	≥ 10 GΩ	Packaging width	215,00 mm
Weight	146,00 g	Packaging weight	4,77 kg
Operating temperature range (min, max)	-40 °C ... +125 °C	Packaging volume	8,69 dm ³
UL 94 flammability rating	V-0	Packaging description	Carton box
		Packaging quantity	30 Pcs
		Packaging EAN code	8015747191869
		Sub-packaging length	113,00 mm
		Sub-packaging height	36,00 mm
		Sub-packaging width	180,00 mm
		Sub-packaging weight	0,80 kg
		Sub-packaging volume	0,73 dm ³
		Sub-packaging description	Carton tray
		Sub-packaging quantity	5 Pcs
		Sub-packaging EAN barcode	8015747042642

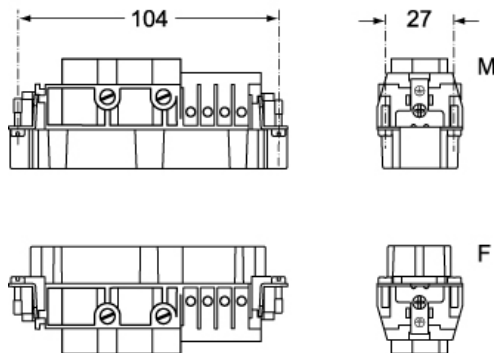
Part number

CXM 4/8

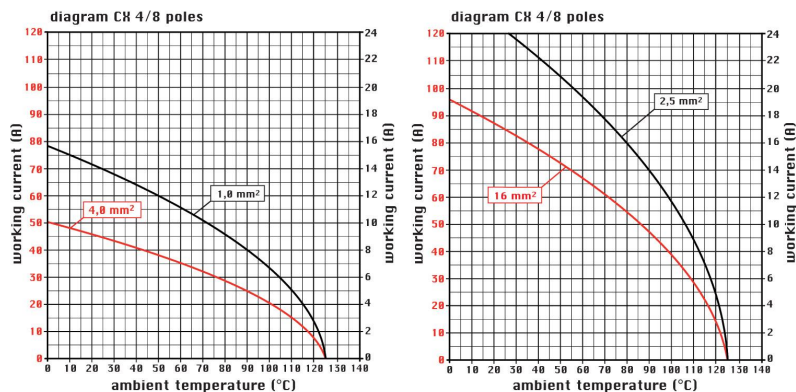


Catalogue drawings

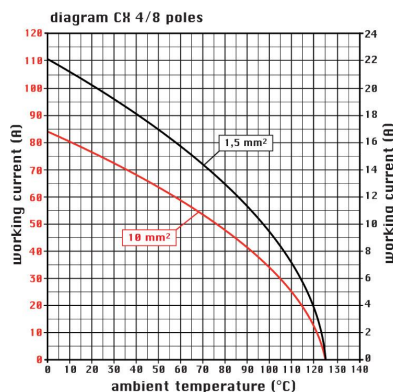
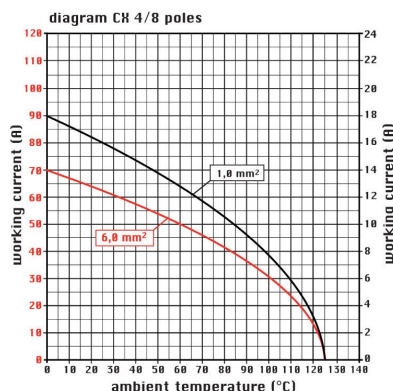
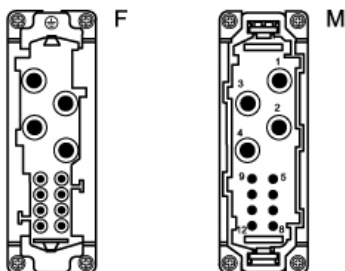
CXM 4/8



Catalogue drawings



CXF 4/8



Notes

Dimensions shown in mm are not binding and may be changed without notice.

California Proposition 65 Information



WARNING

This product can expose you to lead and its compounds, known to the State of California to cause cancer and/or reproductive toxicity. For more information go to www.P65Warnings.ca.gov.
