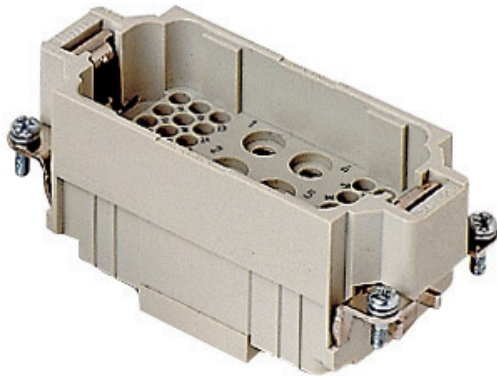


Part number

CXM 6/36



Male insert, CX series, crimp connection, 6 + 36 poles + PE, 40 A 690 V 8 kV 3 / 10 A 160 V 2,5 kV 3, size "77.27"

Product description

Product type	Insert
Series	CX
Connection type	Crimp connection
Gender	Male
N. of poles	6 poles + \perp
Auxiliary poles	36D
Size	Size 77.27

Technical data

Current	40 A
Voltage	690 V
Rated impulse withstand voltage	8 kV
Pollution degree	3
Rated voltage according to UL/CSA	600 V
IP degree of protection	IP20 without enclosure, IP65/IP66/IP68/IP69 with enclosure

Further technical details

Characteristics according to EN 61984	40A 690V 8kV 3 (aux:10A 160V 2.5kV 3; 10A 250V 4kV 2)
Mating cycles	≥ 500
Insulation resistance	≥ 10 GΩ
Weight	63,00 g
Operating temperature range (min, max)	-40 °C ... +125 °C
UL 94 flammability rating	V-0

Material properties

Main material	Polycarbonate (PC)
Colour	RAL 7032 grey
RoHs conformity	Compliant
China RoHs - EFUP	E
REACH SVHC substances	No

Approvals / Standards

Reference standard	EN 61984:2009-06
Certifications	CSAc, CQC, DNV, BV, EAC
UL	ECBT2

General ordering information

EAN13 code	8015747042710
eCl@ss 8.1	27440205
ETIM 7.0	EC000438

Packaging Information

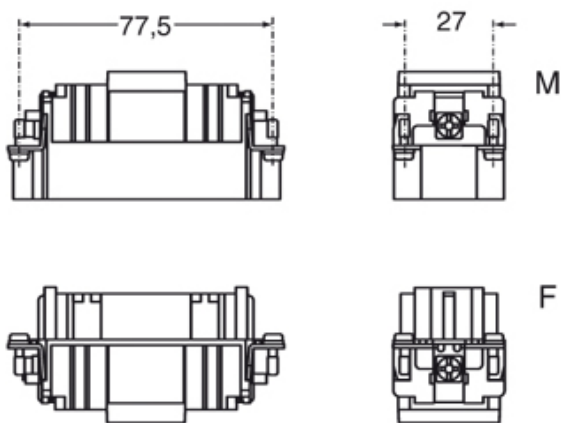
Packaging length	230,00 mm
Packaging height	110,00 mm
Packaging width	180,00 mm
Packaging weight	2,27 kg
Packaging volume	4,55 dm ³
Packaging description	Carton box
Packaging quantity	30 Pcs
Packaging EAN code	8015747098571
Sub-packaging length	87,00 mm
Sub-packaging height	36,00 mm
Sub-packaging width	180,00 mm
Sub-packaging weight	0,38 kg
Sub-packaging volume	0,56 dm ³
Sub-packaging description	Carton tray
Sub-packaging quantity	5 Pcs
Sub-packaging EAN barcode	8015747042727

Part number

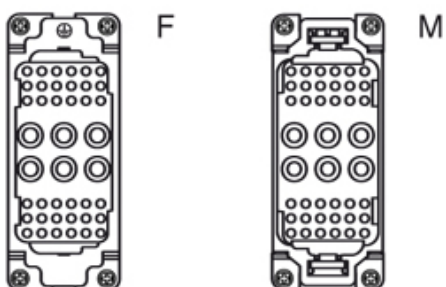
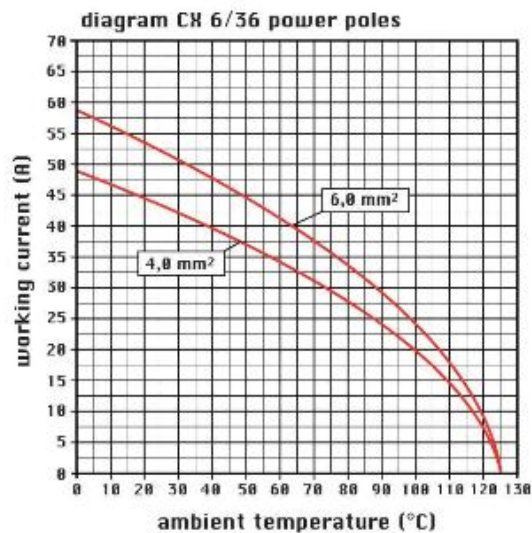
CXM 6/36



Catalogue drawings



Catalogue drawings



Notes

California Proposition 65 Information



WARNING

This product can expose you to nickel compounds, known to the State of California to cause cancer and/or reproductive toxicity. For more information go to www.P65Warnings.ca.gov.

Dimensions shown in mm are not binding and may be changed without notice.