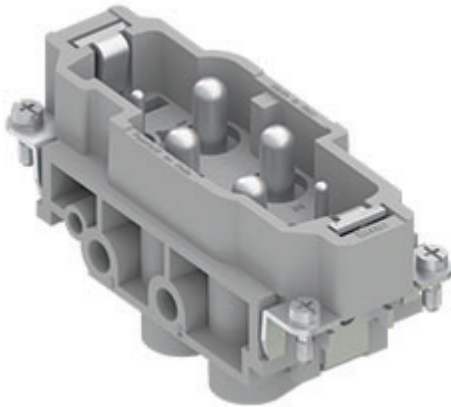



Part number

CXM 4/2



Male insert, CX series, screw terminal connection, 4 + 2 poles + PE, 80 A 830 V 8 kV 3 / 16 A 400 V 6 kV 3, size "77.27"

Product description

Product type	Insert
Series	CX
Connection type	Screw terminal connection
Gender	Male
N. of poles	4 poles + 
Auxiliary poles	2 poles
Size	Size "77.27"

Technical data

Current	80 A
Voltage	830 V
Rated impulse withstand voltage	8 kV
Pollution degree	3
Rated voltage according to UL/CSA	600 V
Wire cross-section	4,00 mm ² - 16,00 mm ²
AWG size	12 - 6
Contact type	Turned silver plated
IP degree of protection	IP20 without enclosure, IP65/IP66/IP68/IP69 with enclosure

Further technical details

Characteristics according to EN 61984	80A 830V 8kV 3; 16A 400V 6kV 3; 16A 400/690V 6kV 2
Mating cycles	≥ 500
Insulation resistance	≥ 10 GΩ
Contact resistance	≤ 0,3 mΩ (4 poles), ≤ 1 mΩ (2 poles)
Weight	117,50 g
Operating temperature range (min, max)	-40 °C ... +125 °C
UL 94 flammability rating	V-0

Material properties

Main material	Polycarbonate (PC)
Other materials	Contacts: copper alloy
Colour	RAL 7032 grey
RoHs conformity	Compliant with exemption 6(c): copper alloy containing up to 4% lead by weight
China RoHs - EFUP	50
REACH SVHC substances	Yes Lead

Approvals / Standards

Reference standard	EN 61984:2009-06
Certifications	CSA, CQC, DNV-GL, BV, EAC
UL	ECBT2
cUL	ECBT8

General ordering information

EAN13 code	8015747042604
eCl@ss 8.1	27440205
ETIM 7.0	EC000438

Packaging Information

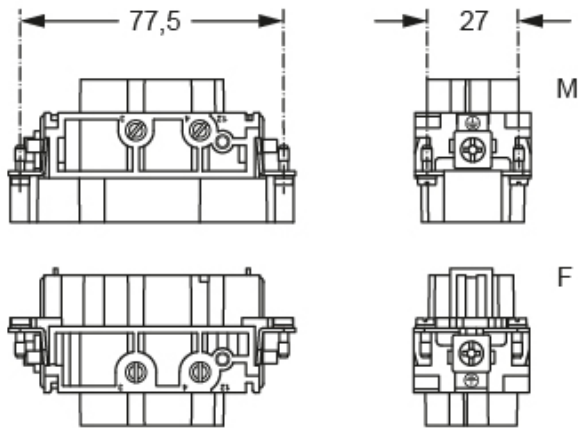
Packaging length	200,00 mm
Packaging height	165,00 mm
Packaging width	200,00 mm
Packaging weight	3,95 kg
Packaging volume	6,60 dm ³
Packaging description	Carton box
Packaging quantity	30 Pcs
Packaging EAN code	8015747191838
Sub-packaging length	87,00 mm
Sub-packaging height	36,00 mm
Sub-packaging width	180,00 mm
Sub-packaging weight	0,66 kg
Sub-packaging volume	0,56 dm ³
Sub-packaging description	Carton tray
Sub-packaging quantity	5 Pcs
Sub-packaging EAN barcode	8015747042611

Part number

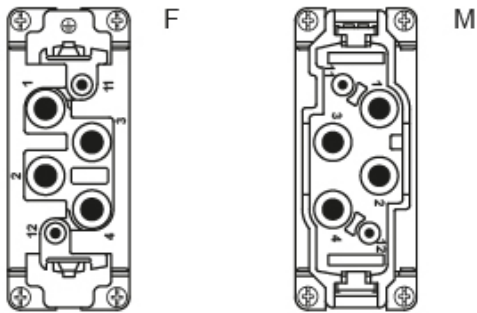
CXM 4/2



Catalogue drawings

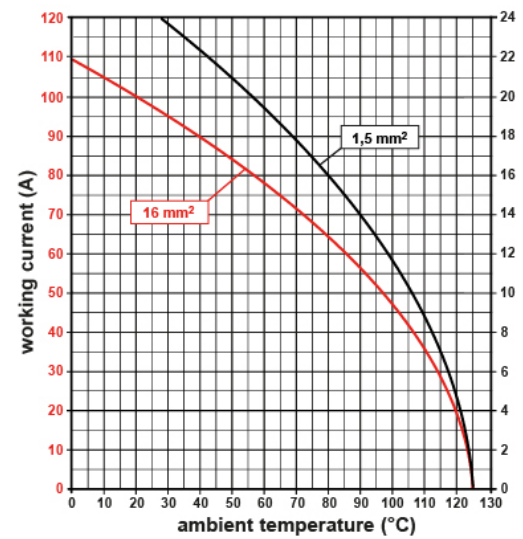
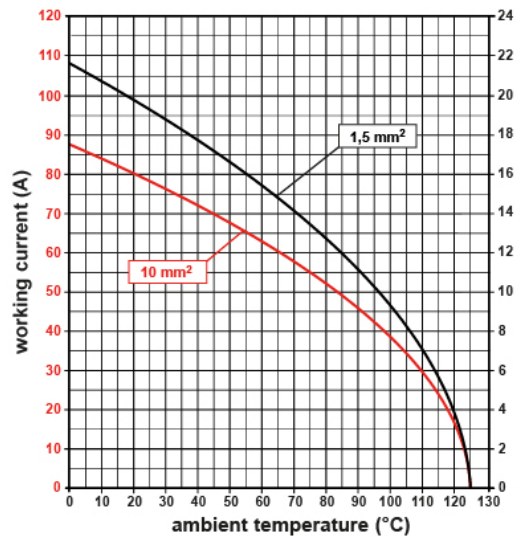
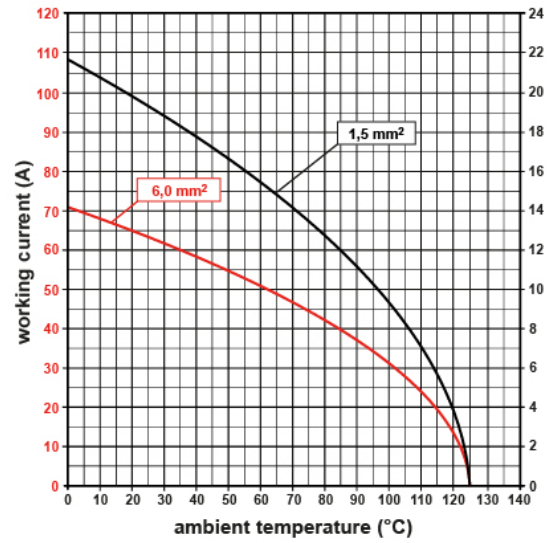


contacts side (front view)



Derating curves

CX 4/2 poles connector inserts
Maximum current load derating diagram



Dimensions shown in mm are not binding and may be changed without notice.
