

Part number
JNEF 24



Female insert, JNE series, screw terminal connection, 24 poles + PE, 16 A 500 V 6 kV 3, size "104.27", with plate

Product description

Product type	Insert
Series	JNE
Connection type	Screw terminal connection
Gender	Female
N. of poles	24 poles +
Size	Size 104.27
Specification	With plate, also for non-prepared conductors

Technical data

Current	16 A
Voltage	500 V
Rated impulse withstand voltage	6 kV
Pollution degree	3
Rated voltage according to UL/CSA	600V
Wire cross-section	0,50 mm ² - 4,00 mm ²
AWG size	20 - 12
Contact type	Turned tin plated
IP degree of protection	IP20 without enclosure, IP65/IP66/IP68/IP69 with enclosure

Further technical details

Characteristics according to EN 61984	16A 500V 6kV 3; 16A 400/690V 6kV 2
Mating cycles	≥ 200
Insulation resistance	≥ 10 GΩ
Weight	111,50 g
Operating temperature range (min, max)	-40 °C ... +125 °C
UL 94 flammability rating	V-0

Material properties

Main material	Polycarbonate (PC)
Other materials	Contacts: copper alloy
Colour	RAL 7035 grey
RoHs conformity	Compliant with exemption 6(c): copper alloy containing up to 4% lead by weight
China RoHs - EFUP	50
REACH SVHC substances	Yes Lead
SCIP number	1a9c93ff-0445-4a16-81e3-1609ac5274d6

Approvals / Standards

Reference standard	EN 61984:2009-06
Certifications	CSA, CQC, DNV, BV, EAC
UL	ECBT2
cUL	ECBT8

General ordering information

EAN13 code	8015747204408
-------------------	---------------

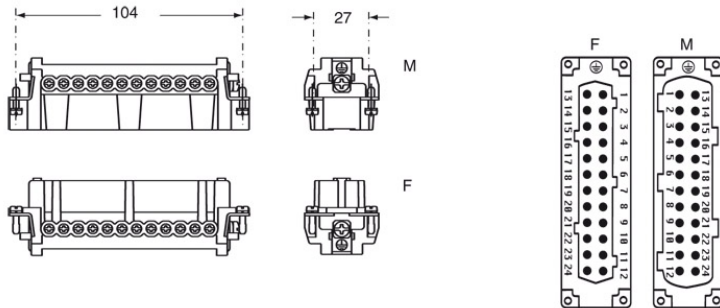
Packaging Information

Packaging length	450,00 mm
Packaging height	175,00 mm
Packaging width	230,00 mm
Packaging weight	9,50 kg
Packaging volume	18,11 dm ³
Packaging description	Carton box
Packaging quantity	80 Pcs
Packaging EAN code	8015747204552
Sub-packaging length	113,00 mm
Sub-packaging height	36,00 mm
Sub-packaging width	180,00 mm
Sub-packaging weight	0,59 kg
Sub-packaging volume	0,73 dm ³
Sub-packaging description	Carton tray
Sub-packaging quantity	5 Pcs
Sub-packaging EAN barcode	8015747204569

Part number JNEF 24



Catalogue drawings



Notes

Dimensions shown in mm are not binding and may be changed without notice.

- for non-prepared conductors
- inserts with plate for section conductors:
0.5 ÷ 4 mm² - AWG 20 ÷ 12
- conductors stripping length: 7 mm
- terminal screw torque: 0.5 Nm



California Proposition 65 Information



WARNING

This product can expose you to lead and its compounds, known to the State of California to cause cancer and/or reproductive toxicity. For more information go to www.P65Warnings.ca.gov.

California Proposition 65 Information



WARNING

This product can expose you to lead and its compounds, known to the State of California to cause cancer and/or reproductive toxicity. For more information go to www.P65Warnings.ca.gov.