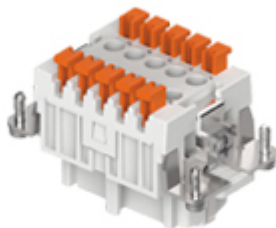



Part number  
**JSHF 10 S**



Female insert, JSH S series, SQUICH® spring terminal connection without tools, 10 poles + PE, 16 A 500 V 6 kV 3, size "57.27"

**Product description**

<b>Product type</b>	Insert
<b>Series</b>	JSH S
<b>Connection type</b>	SQUICH® spring terminal connection without tools
<b>Gender</b>	Female
<b>N. of poles</b>	10 poles + 
<b>Size</b>	Size 57.27

**Technical data**

<b>Current</b>	16 A
<b>Voltage</b>	500 V
<b>Rated impulse withstand voltage</b>	6 kV
<b>Pollution degree</b>	3
<b>Rated voltage according to UL/CSA</b>	600 V
<b>Wire cross-section</b>	0,14 mm <sup>2</sup> - 2,50 mm <sup>2</sup>
<b>AWG size</b>	26 - 14
<b>Contact type</b>	Stamped tin plated
<b>IP degree of protection</b>	IP20 without enclosure, IP65/IP66/IP68/IP69 with enclosure

**Further technical details**

<b>Characteristics according to EN 61984</b>	16A 500V 6kV 3
<b>Mating cycles</b>	≥ 200
<b>Insulation resistance</b>	≥ 10 GΩ
<b>Contact resistance</b>	≤ 3 mΩ
<b>Weight</b>	63,00 g
<b>Operating temperature range (min, max)</b>	-40°C ... +125°C
<b>Conductors stripping length</b>	9...11 mm
<b>UL 94 flammability rating</b>	V-0

**Material properties**

<b>Main material</b>	Polycarbonate (PC)
<b>Other materials</b>	Contacts: copper alloy
<b>Colour</b>	RAL 7035 grey
<b>RoHs conformity</b>	Compliant with exemption 6(c): copper alloy containing up to 4% lead by weight
<b>China RoHs - EFUP</b>	50
<b>REACH SVHC substances</b>	Yes Lead
<b>SCIP number</b>	1a9c93ff-0445-4a16-81e3-1609ac5274d6

**Approvals / Standards**

<b>UL</b>	ECBT2
<b>cUL</b>	ECBT8

**General ordering information**

<b>EAN13 code</b>	8015747266123
-------------------	---------------

**Packaging Information**

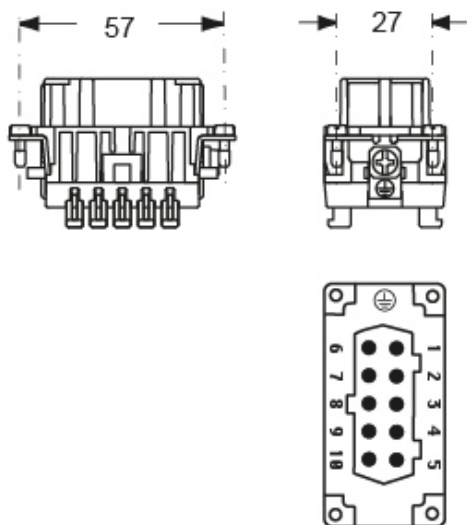
<b>Packaging length</b>	245,00 mm
<b>Packaging height</b>	165,00 mm
<b>Packaging width</b>	215,00 mm
<b>Packaging weight</b>	2,33 kg
<b>Packaging volume</b>	8,69 dm <sup>3</sup>
<b>Packaging description</b>	Carton box
<b>Packaging quantity</b>	30 Pcs
<b>Packaging EAN code</b>	8015747266185
<b>Sub-packaging length</b>	197,00 mm
<b>Sub-packaging height</b>	44,00 mm
<b>Sub-packaging width</b>	113,00 mm
<b>Sub-packaging weight</b>	0,39 kg
<b>Sub-packaging volume</b>	0,98 dm <sup>3</sup>
<b>Sub-packaging description</b>	Carton tray
<b>Sub-packaging quantity</b>	5 Pcs
<b>Sub-packaging EAN barcode</b>	8015747266192

Part number

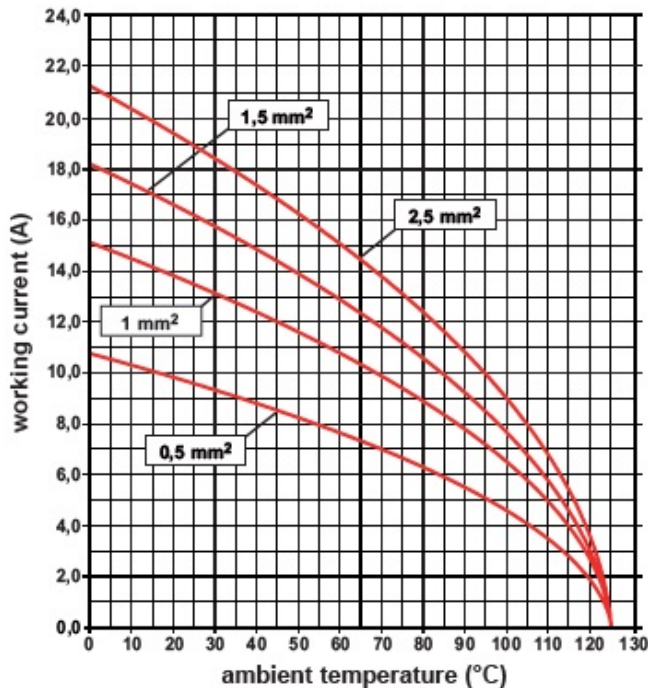
# JSHF 10 S



Catalogue drawings



Derating curves



## Notes

Dimensions shown in mm are not binding and may be changed without notice.

### California Proposition 65 Information



**WARNING**

This product can expose you to nickel compounds, known to the State of California to cause cancer and/or reproductive toxicity. For more information go to [www.P65Warnings.ca.gov](http://www.P65Warnings.ca.gov).

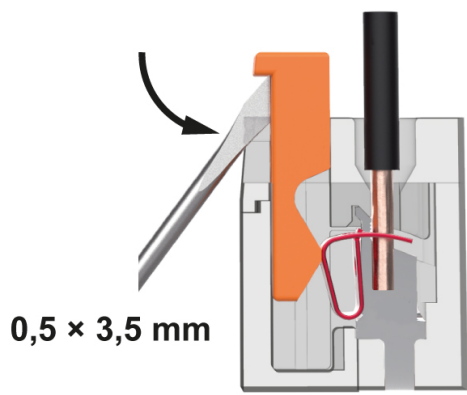
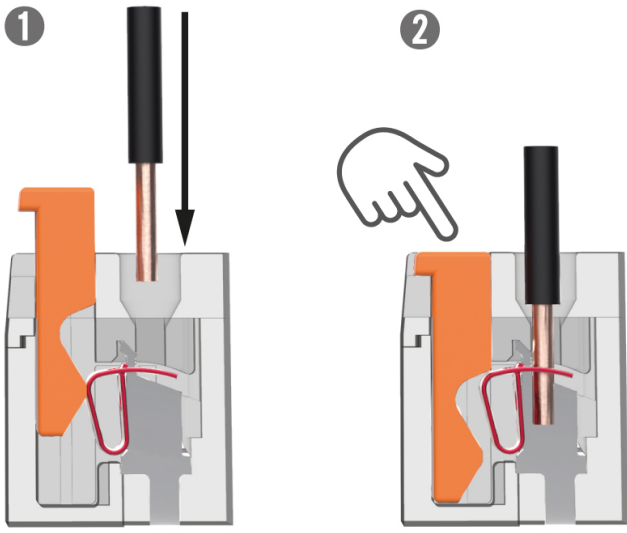
### California Proposition 65 Information



**WARNING**

This product can expose you to lead and its compounds, known to the State of California to cause cancer and/or reproductive toxicity. For more information go to [www.P65Warnings.ca.gov](http://www.P65Warnings.ca.gov).

SQUICH® connection with actuator button



Reopening

---