


Part number

RCEF 06



Female insert, RCE series, crimp connection, 6 poles + PE, 16 A 500 V 6 kV 3, size "44.27", HNM - High Number of Matings version

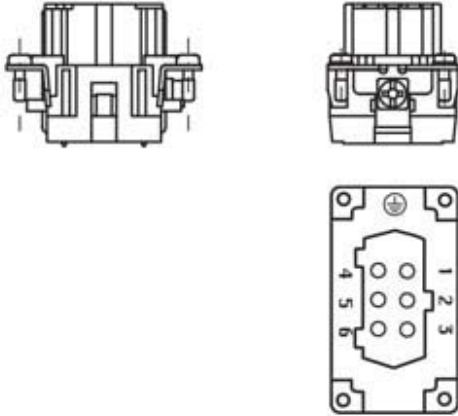
Product description	
Product type	Insert
Series	RCE
Connection type	Crimp connection
Gender	Female
N. of poles	6 poles + 
Size	Size 44.27
Specification	HNM - High Number of Matings version
Technical data	
Current	16 A
Voltage	500 V
Rated impulse withstand voltage	6 kV
Pollution degree	3
Rated voltage according to UL/CSA	600 V
IP degree of protection	IP20 without enclosure, IP65/IP66/IP68/IP69 with enclosure
Further technical details	
Mating cycles	≥ 10000
Insulation resistance	≥ 10 GΩ
Contact resistance	≤ 1 mΩ
Weight	40,00 g
Operating temperature range (min, max)	-40 °C ... +125 °C
UL 94 flammability rating	V-0

Material properties	
Main material	Polycarbonate (PC)
Colour	RAL 7032 grey
RoHs conformity	Compliant
China RoHs - EFUP	E
REACH SVHC substances	No
Approvals / Standards	
Certifications	DNV, BV, EAC
UL	ECBT2
General ordering information	
EAN13 code	8015747235198
eCl@ss 8.1	27440205
ETIM 7.0	EC000438
Packaging Information	
Packaging length	270,00 mm
Packaging height	75,00 mm
Packaging width	180,00 mm
Packaging weight	2,76 kg
Packaging volume	3,65 dm ³
Packaging description	Carton box
Packaging quantity	60 Pcs
Packaging EAN code	8015747235341
Sub-packaging length	104,00 mm
Sub-packaging height	36,00 mm
Sub-packaging width	180,00 mm
Sub-packaging weight	0,46 kg
Sub-packaging volume	0,67 dm ³
Sub-packaging description	Carton tray
Sub-packaging quantity	10 Pcs
Sub-packaging EAN barcode	8015747235358

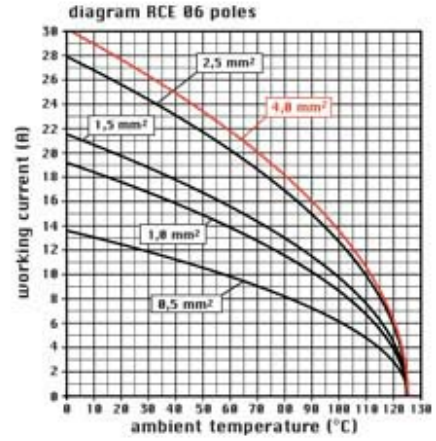
Part number
RCEF 06



Catalogue drawings



Derating curves



Notes

Dimensions shown in mm are not binding and may be changed without notice.

California Proposition 65 Information



WARNING

This product can expose you to nickel compounds, known to the State of California to cause cancer and/or reproductive toxicity. For more information go to www.P65Warnings.ca.gov.