


Part number

# RDF 40



Female insert, RD series, crimp connection, 40 poles + PE, 10 A 250 V 4 kV 3, size "77.27", HNM - High Number of Matings version

#### Product description

<b>Product type</b>	Insert
<b>Series</b>	RD
<b>Connection type</b>	Crimp connection
<b>Gender</b>	Female
<b>N. of poles</b>	40 poles + 
<b>Size</b>	Size 77.27
<b>Specification</b>	HNM - High Number of Matings version

#### Technical data

<b>Current</b>	10 A
<b>Voltage</b>	250 V
<b>Rated impulse withstand voltage</b>	4 kV
<b>Pollution degree</b>	3
<b>Rated voltage according to UL/CSA</b>	600 V
<b>IP degree of protection</b>	IP20 without enclosure, IP65/IP66/IP68/IP69 with enclosure

#### Further technical details

<b>Mating cycles</b>	≥ 10000
<b>Insulation resistance</b>	≥ 10 GΩ
<b>Contact resistance</b>	≤ 3 mΩ
<b>Weight</b>	62,70 g
<b>Operating temperature range (min, max)</b>	-40 °C ... +125 °C
<b>UL 94 flammability rating</b>	V-0

#### Material properties

<b>Main material</b>	Polycarbonate (PC)
<b>Colour</b>	RAL 7032 grey
<b>RoHs conformity</b>	Compliant
<b>China RoHs - EFUP</b>	E
<b>REACH SVHC substances</b>	No

#### Approvals / Standards

<b>Certifications</b>	DNV, BV, EAC
<b>UL</b>	ECBT2
<b>cUL</b>	ECBT8

#### General ordering information

<b>EAN13 code</b>	8015747255448
<b>eCl@ss 8.1</b>	27440205
<b>ETIM 7.0</b>	EC000438

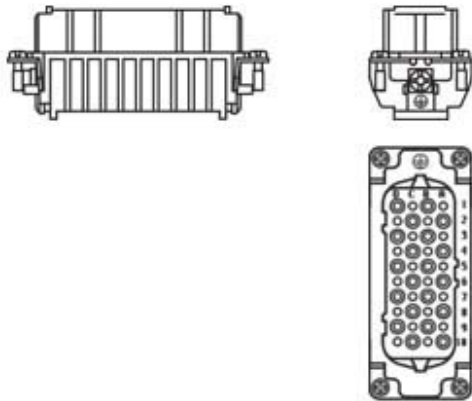
#### Packaging Information

<b>Packaging length</b>	230,00 mm
<b>Packaging height</b>	110,00 mm
<b>Packaging width</b>	180,00 mm
<b>Packaging weight</b>	2,22 kg
<b>Packaging volume</b>	4,55 dm <sup>3</sup>
<b>Packaging description</b>	Carton box
<b>Packaging quantity</b>	30 Pcs
<b>Packaging EAN code</b>	8015747257152
<b>Sub-packaging length</b>	87,00 mm
<b>Sub-packaging height</b>	36,00 mm
<b>Sub-packaging width</b>	180,00 mm
<b>Sub-packaging weight</b>	0,37 kg
<b>Sub-packaging volume</b>	0,56 dm <sup>3</sup>
<b>Sub-packaging description</b>	Carton tray
<b>Sub-packaging quantity</b>	5 Pcs
<b>Sub-packaging EAN barcode</b>	8015747257169

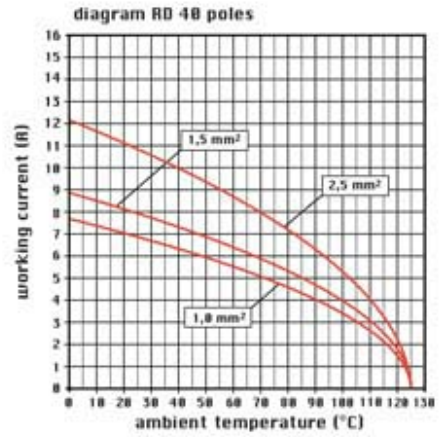
Part number  
**RDF 40**



Catalogue drawings



Derating curves



Notes

Dimensions shown in mm are not binding and may be changed without notice.

**California Proposition 65 Information**



**WARNING**

This product can expose you to nickel compounds, known to the State of California to cause cancer and/or reproductive toxicity. For more information go to [www.P65Warnings.ca.gov](http://www.P65Warnings.ca.gov).