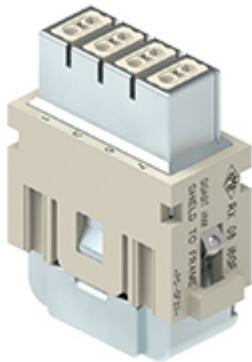


Part number

RX 08 I6GF



Female modular insert, Mixo Gigabit series, crimp connection, 8 poles, 1 module, 5 A 50 V 0,8 kV 3, shielded, with additional PE connection, HNM version

Product description

Product type	Modular insert
Series	Mixo Gigabit
Connection type	Crimp connection with shield
Gender	Female
N. of poles	8 poles
Size	1 module
Specification	HNM - High Number of Matings version Shielded, with additional PE connection

Technical data

Current	5 A
Voltage	50 V
Rated impulse withstand voltage	0,8 kV
Pollution degree	3
Rated voltage according to UL/CSA	50 V
IP degree of protection	IP20 without enclosure, IP65/IP66/IP68/IP69 with enclosure

Further technical details

Characteristics according to EN 61984	5A 50V 0,8kV 3
Mating cycles	≥ 10000
Insulation resistance	≥ 10 GΩ
Contact resistance	≤ 4 mΩ
Weight	385,00 g
Operating temperature range (min, max)	-40°C ... +85°C
UL 94 flammability rating	V-0

Material properties

Main material	Polycarbonate (PC)
Other materials	Shield: zinc alloy
Colour	RAL 7032 grey
RoHs conformity	Compliant
China RoHs - EFUP	E
REACH SVHC substances	No

Approvals / Standards

Certifications	DNV
-----------------------	-----

General ordering information

EAN13 code	8015747282840
eCl@ss 8.1	27440205
ETIM 7.0	EC000438

Packaging Information

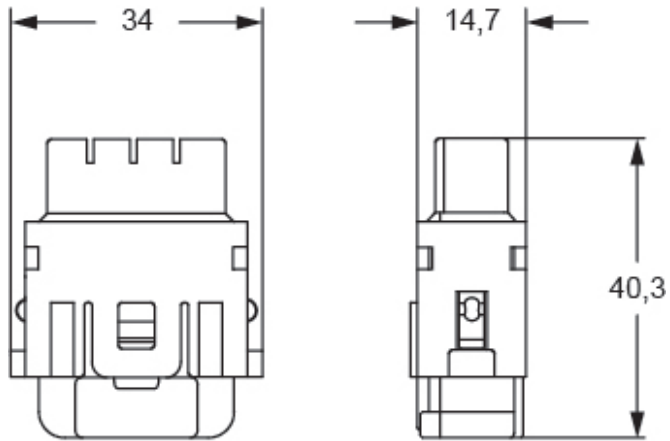
Packaging weight	4,58 kg
Packaging volume	1,24 dm ³
Packaging description	Carton box
Packaging quantity	10 Pcs
Packaging EAN code	8015747283045
Sub-packaging length	116,00 mm
Sub-packaging height	113,00 mm
Sub-packaging width	142,00 mm
Sub-packaging weight	0,46 kg
Sub-packaging volume	1,86 dm ³
Sub-packaging description	Plastic bag
Sub-packaging quantity	1 Pcs
Sub-packaging EAN barcode	8015747283052

Part number

RX 08 I6GF



Catalogue drawings



Notes

Standard modular inserts:

-in combination with standard contacts and standard frames (CX ... TF/TM); must be mounted either in traditional enclosures or in COB panel supports (both up to 500 matings).

Dimensions shown in mm are not binding and may be changed without notice.
