

Part number

# RX 08 I6GM



Male modular insert, Mixo Gigabit series, crimp connection, 8 poles, 1 module, 5 A 50 V 0,8 kV 3, shielded, with additional PE connection, HNM version

Product description	
<b>Product type</b>	Modular insert
<b>Series</b>	Mixo Gigabit
<b>Connection type</b>	Crimp connection with shield
<b>Gender</b>	Male
<b>N. of poles</b>	8 poles
<b>Size</b>	1 module
<b>Specification</b>	HNM - High Number of Matings version Shielded, with additional PE connection
Technical data	
<b>Current</b>	5 A
<b>Voltage</b>	50 V
<b>Rated impulse withstand voltage</b>	0,8 kV
<b>Pollution degree</b>	3
<b>Rated voltage according to UL/CSA</b>	50 V
<b>IP degree of protection</b>	IP20 without enclosure, IP65/IP66/IP68/IP69 with enclosure
Further technical details	
<b>Characteristics according to EN 61984</b>	5A 50V 0,8kV 3
<b>Mating cycles</b>	≥ 10000
<b>Insulation resistance</b>	≥ 10 GΩ
<b>Contact resistance</b>	≤ 4 mΩ
<b>Weight</b>	385,00 g
<b>Operating temperature range (min, max)</b>	-40°C ... +85°C
<b>UL 94 flammability rating</b>	V-0

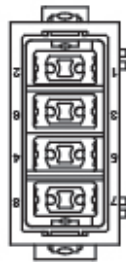
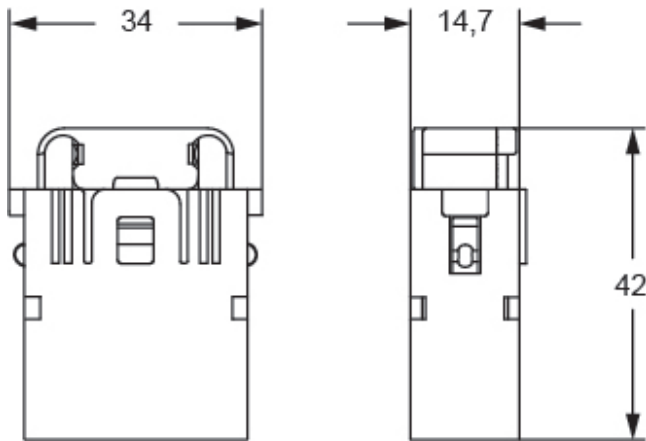
Material properties	
<b>Main material</b>	Polycarbonate (PC)
<b>Other materials</b>	Shield: zinc alloy
<b>Colour</b>	RAL 7032 grey
<b>RoHs conformity</b>	Compliant
<b>China RoHs - EFUP</b>	E
<b>REACH SVHC substances</b>	No
Approvals / Standards	
<b>Certifications</b>	DNV
General ordering information	
<b>EAN13 code</b>	8015747282857
<b>eCl@ss 8.1</b>	27440205
<b>ETIM 7.0</b>	EC000438
Packaging Information	
<b>Packaging weight</b>	4,61 kg
<b>Packaging volume</b>	1,24 dm <sup>3</sup>
<b>Packaging description</b>	Carton box
<b>Packaging quantity</b>	10 Pcs
<b>Packaging EAN code</b>	8015747283021
<b>Sub-packaging length</b>	116,00 mm
<b>Sub-packaging height</b>	113,00 mm
<b>Sub-packaging width</b>	142,00 mm
<b>Sub-packaging weight</b>	0,46 kg
<b>Sub-packaging volume</b>	1,86 dm <sup>3</sup>
<b>Sub-packaging description</b>	Plastic bag
<b>Sub-packaging quantity</b>	1 Pcs
<b>Sub-packaging EAN barcode</b>	8015747283038

Part number

# RX 08 I6GM



## Catalogue drawings



---

## Notes

Standard modular inserts:

-in combination with standard contacts and standard frames (CX ... TF/TM); must be mounted either in traditional enclosures or in COB panel supports (both up to 500 matings).

---

Dimensions shown in mm are not binding and may be changed without notice.

---