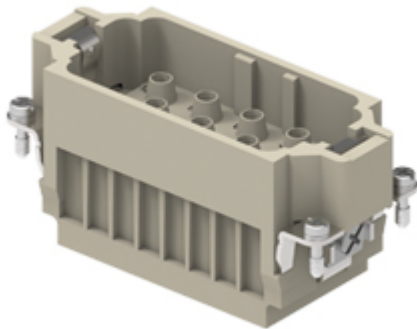


Part number

RXM 12/2



Male insert, RX series, crimp connection, 12 + 2 poles + PE, 40 A 690 V 8 kV 3 / 10 A 250 V 4 kV 3, size "77.27", HNM - High Number of Matings version

Product description	
Product type	Insert
Series	RX
Connection type	Crimp connection
Gender	Male
N. of poles	12 poles + \oplus
Auxiliary poles	2 poles
Size	Size 77.27
Specification	HNM - High Number of Matings version
Technical data	
Current	40 A
Voltage	690 V
Rated impulse withstand voltage	8 kV
Pollution degree	3
Rated voltage according to UL/CSA	600 V
IP degree of protection	IP20 without enclosure, IP65/IP66/IP68/IP69 with enclosure
Further technical details	
Characteristics according to EN 61984	40 A 690 V 8 kV 3 / 10 A 250 V 4 kV 2
Mating cycles	≥ 10000
Insulation resistance	≥ 10 GΩ
Contact resistance	≤ 0,3 mΩ (12 poles), ≤ 1 mΩ (2 poles)
Weight	72,00 g
Operating temperature range (min, max)	-40 °C ... +125 °C
UL 94 flammability rating	V-0

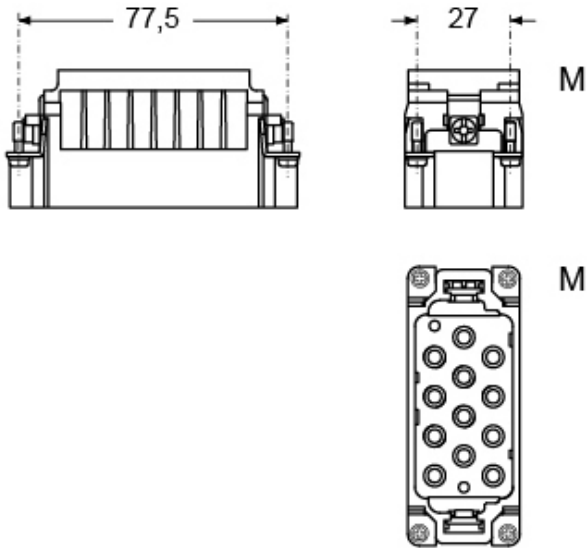
Material properties	
Main material	Polycarbonate (PC)
Other materials	Copper alloy (contacts)
Colour	RAL 7032 grey
RoHs conformity	Compliant
China RoHs - EFUP	E
REACH SVHC substances	No
Approvals / Standards	
UL	ECBT2
General ordering information	
EAN13 code	8015747262545
eCl@ss 8.1	27440205
ETIM 7.0	EC000438
Packaging Information	
Packaging length	230,00 mm
Packaging height	110,00 mm
Packaging width	180,00 mm
Packaging weight	1,68 kg
Packaging volume	4,55 dm ³
Packaging description	Carton box
Packaging quantity	20 Pcs
Packaging EAN code	8015747262552
Sub-packaging length	87,00 mm
Sub-packaging height	36,00 mm
Sub-packaging width	180,00 mm
Sub-packaging weight	0,42 kg
Sub-packaging volume	0,56 dm ³
Sub-packaging description	Carton tray
Sub-packaging quantity	5 Pcs
Sub-packaging EAN barcode	8015747262569

Part number

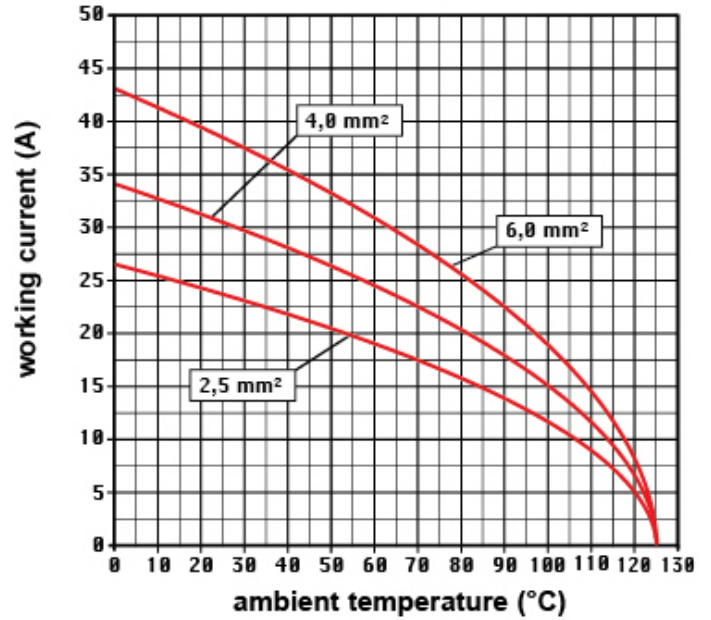
RXM 12/2



Catalogue drawings



Derating curves



Notes

Dimensions shown in mm are not binding and may be changed without notice.

California Proposition 65 Information



WARNING

This product can expose you to nickel compounds, known to the State of California to cause cancer and/or reproductive toxicity. For more information go to www.P65Warnings.ca.gov.