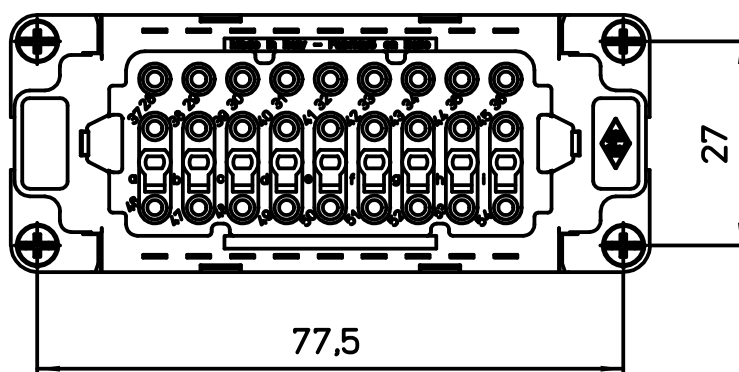
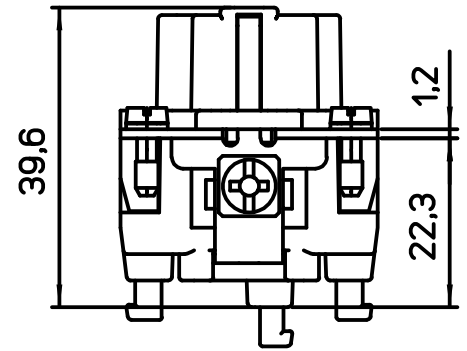
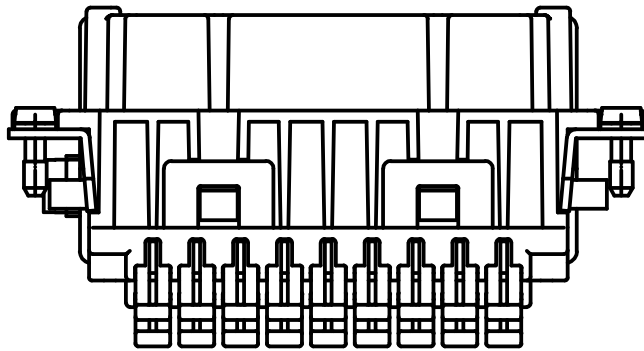
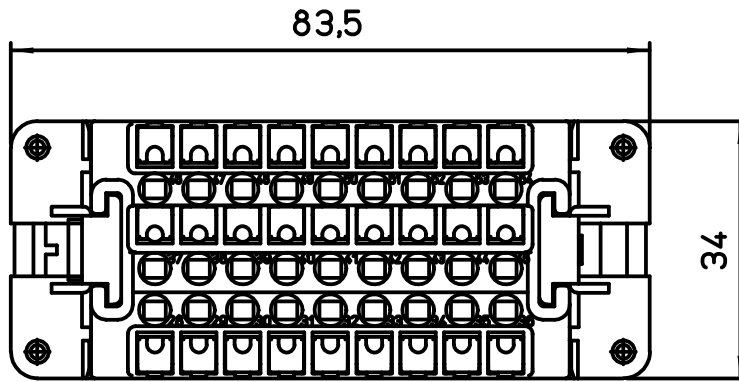
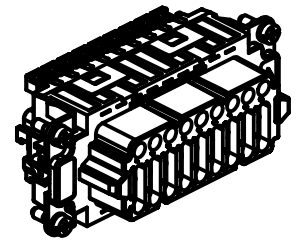


Diritti riservati All rights reserved



dimensions in mm	CDSHF 27 N	Scale	
Date 23/06/16	SQUICH female insert, spring, 27P 10A 400V	1:1	
Sign. D. Bonino			