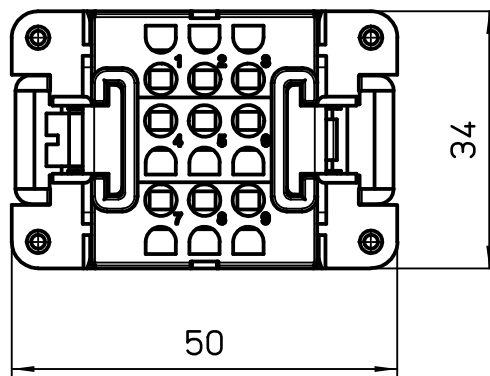
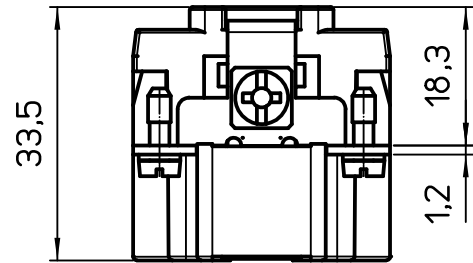
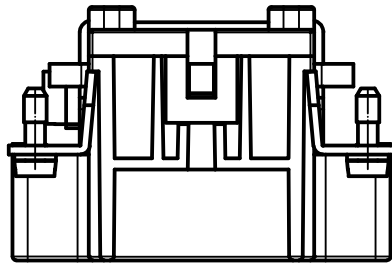
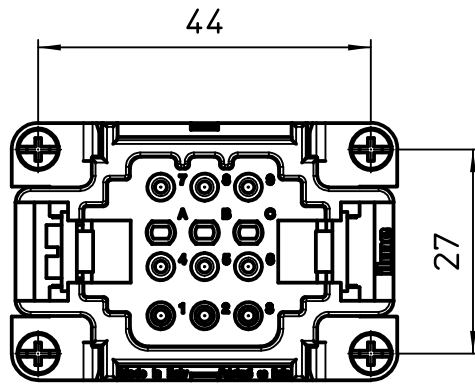
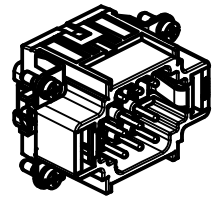


Diritti riservati All rights reserved



dimensions in mm	CDSM 09 male insert, spring, 09P 10A 400V	Scale	
Date 24/02/12		1:1	
Sign. T.Tedeschi			