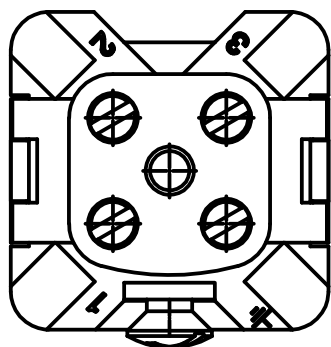
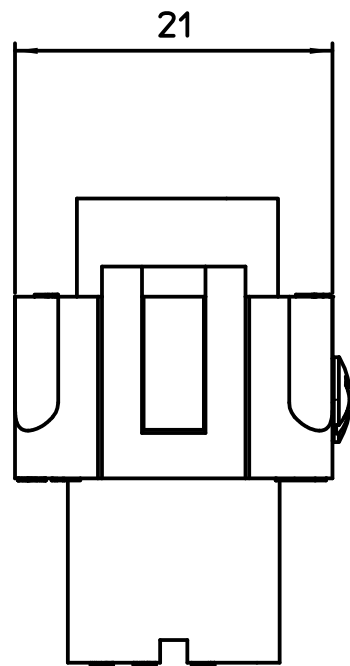
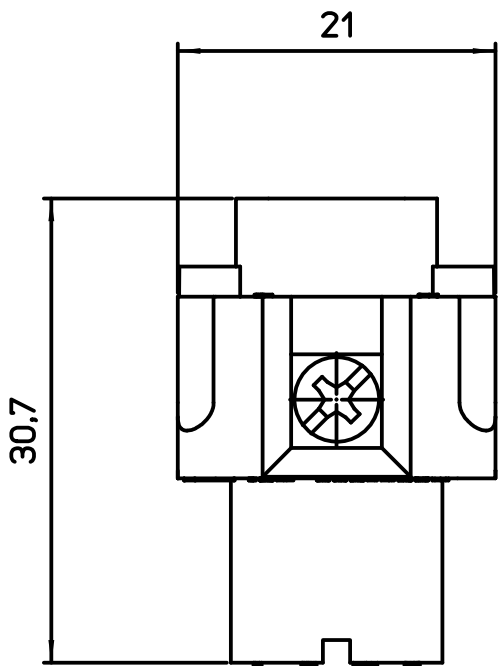
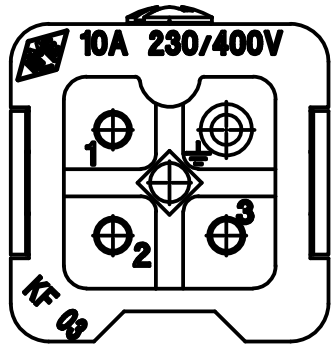


Diritti riservati All rights reserved



dimensions in mm	CKF 03 RY	Scale	
Date 08/10/14	Female insert, screw, 3P + \oplus	2:1	
Sign. M.Pezzimenti	10A 250V - 180°C		