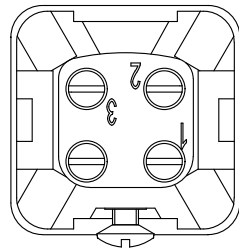
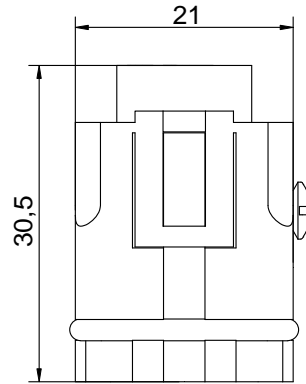
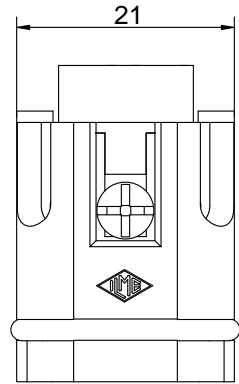
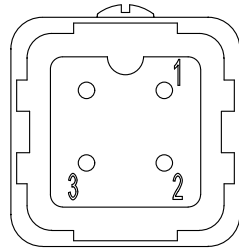


Diritti riservati All rights reserved



Date 25.10.2006	CKM 03 N	Scale		
Sign.	male insert, screw, 03P 10A 250V	2:1		