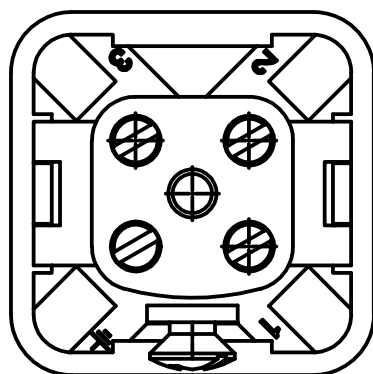
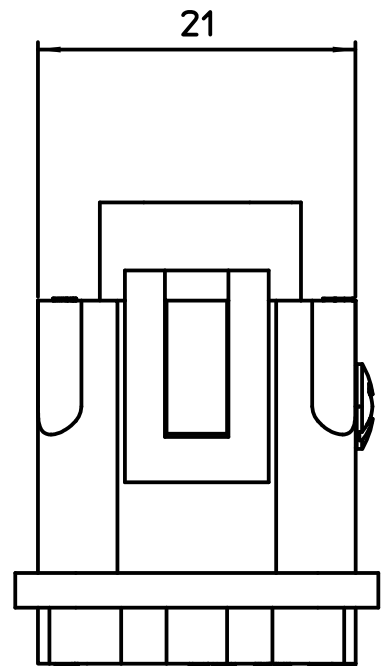
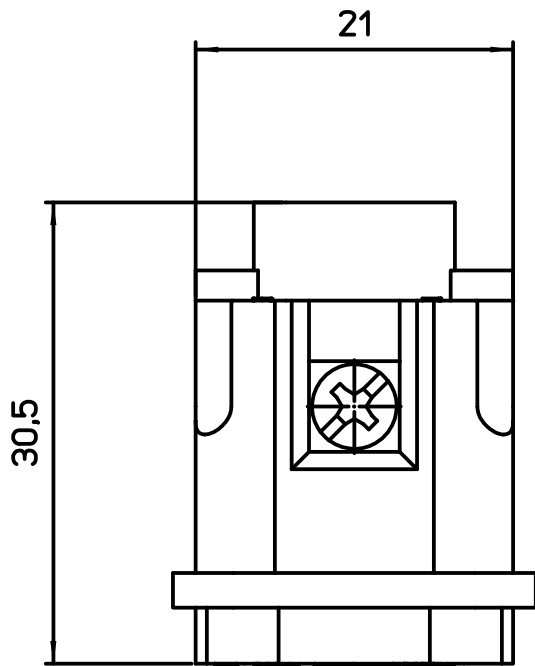
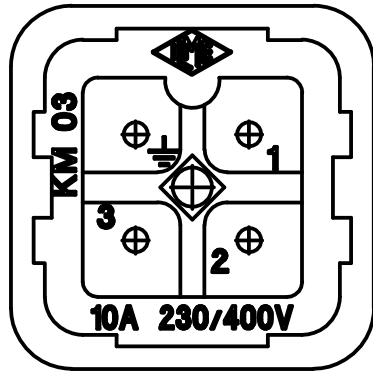


Diritti riservati All rights reserved



dimensions in mm	CKM 03 RY	Scale	
Date 08/10/14	Male insert, screw, 3P + \oplus 10A 250V - 180°C	2:1	
Sign. M.Pezzimenti			