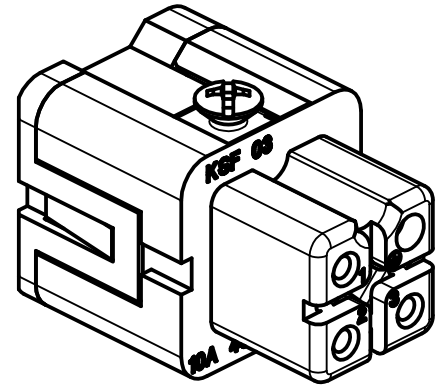
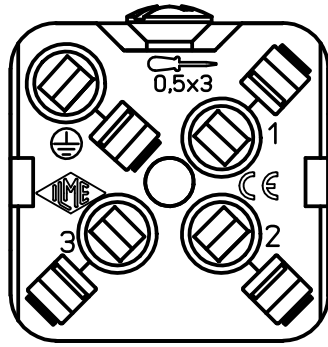
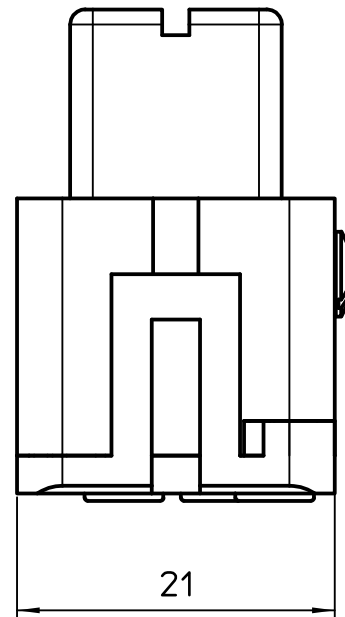
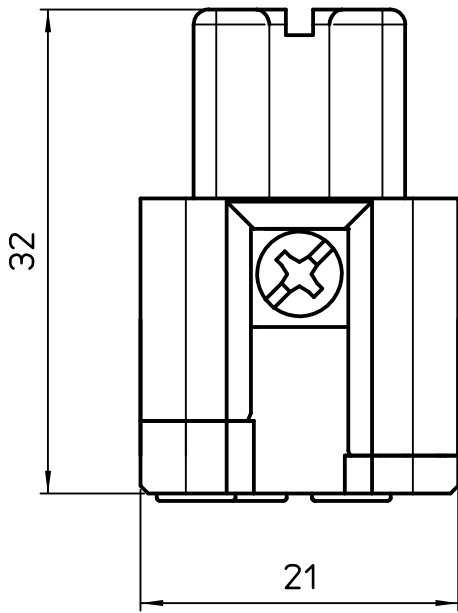


A



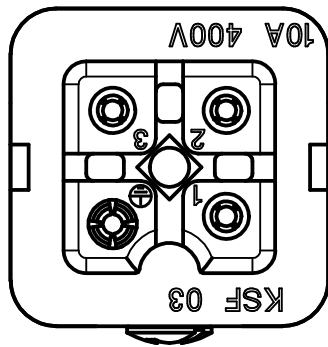
A

B



B


C



C

Diritti riservati All rights reserved

| | | | |
|------|----------|------------|--------------------------|
| REV. | DATE | SIGNATURE | |
| | 15/05/24 | T.Tedeschi | Dimension 32 was 30,8 mm |

 Dimensions in mm
 Simplified representation with dimensions without tolerance

| | | | |
|------------------|---|--------------|---|
| Original Size A4 | CKSF 03 Female insert spring 3P +  10A 400V | Scale 2:1 |  |
| Date 01/02/07 | | | |
| Sign. T.Tedeschi | | | |