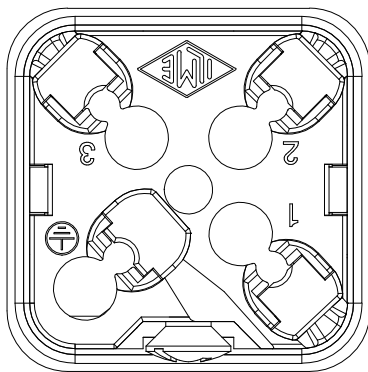
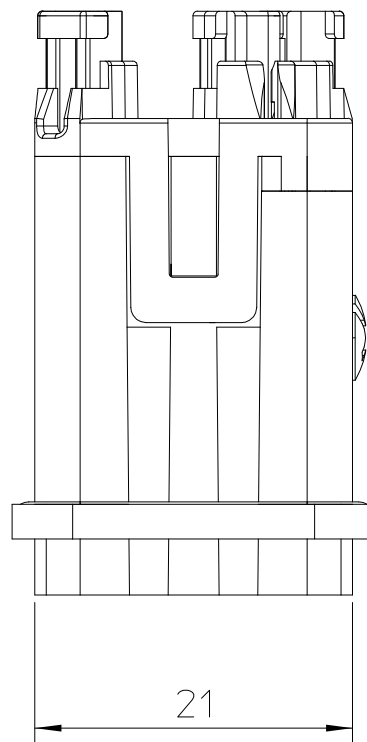
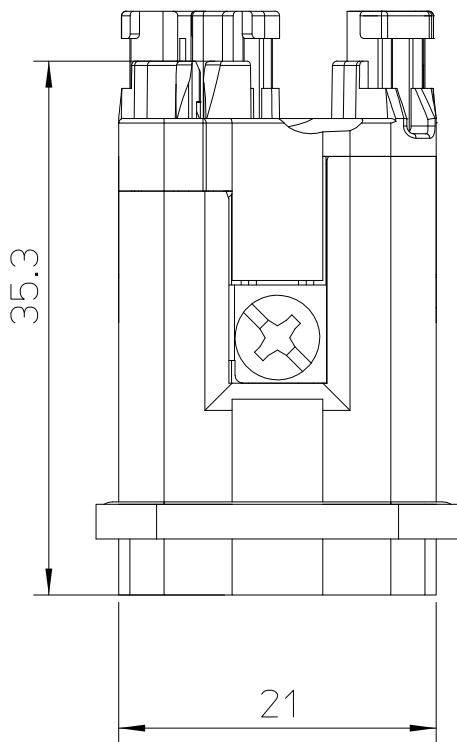
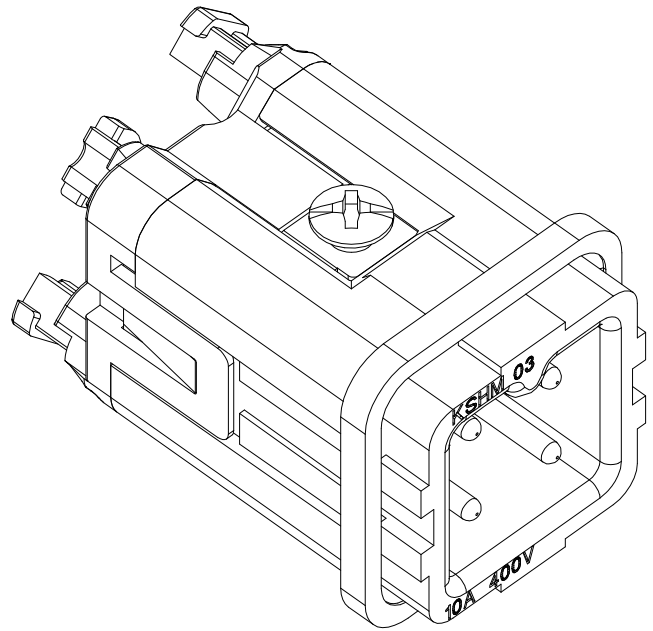
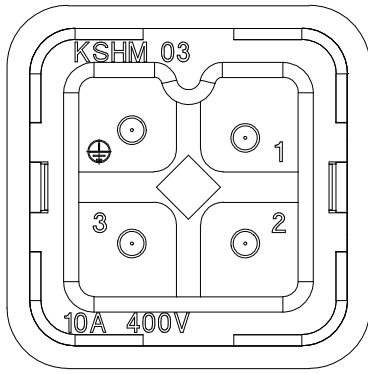


Diritti riservati All rights reserved



dimensions in mm
Date 13/10/16
Sign. C. Mainini

CKSHM 03
SQUICH male insert, spring, 03P 10A 400V

Scale
2:1

