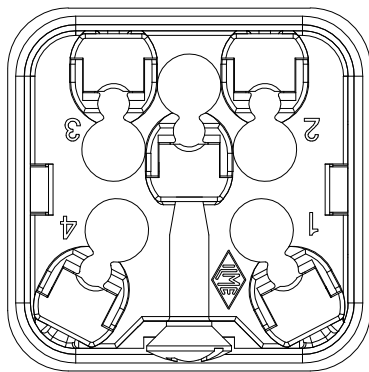
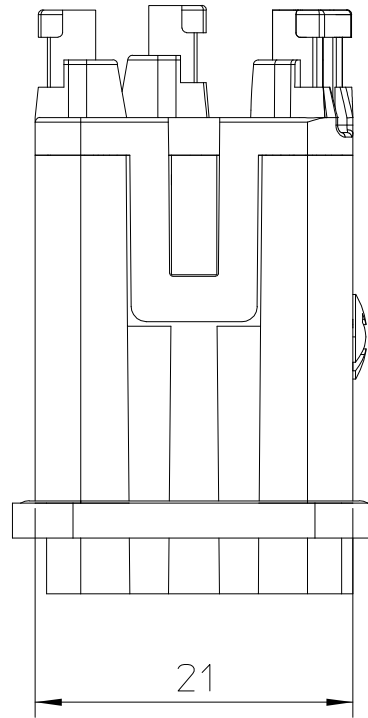
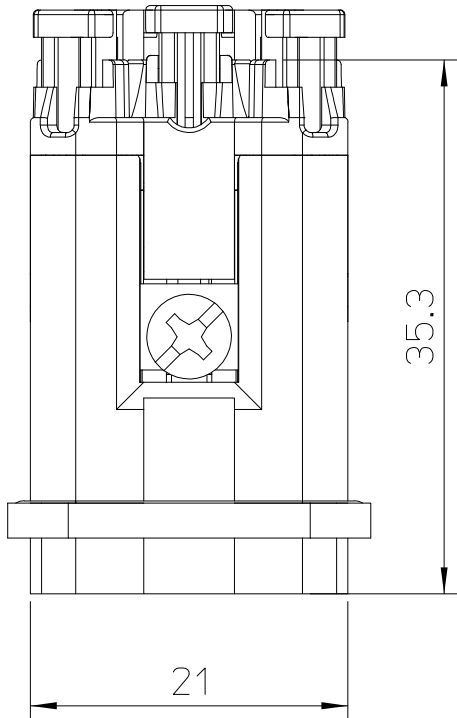
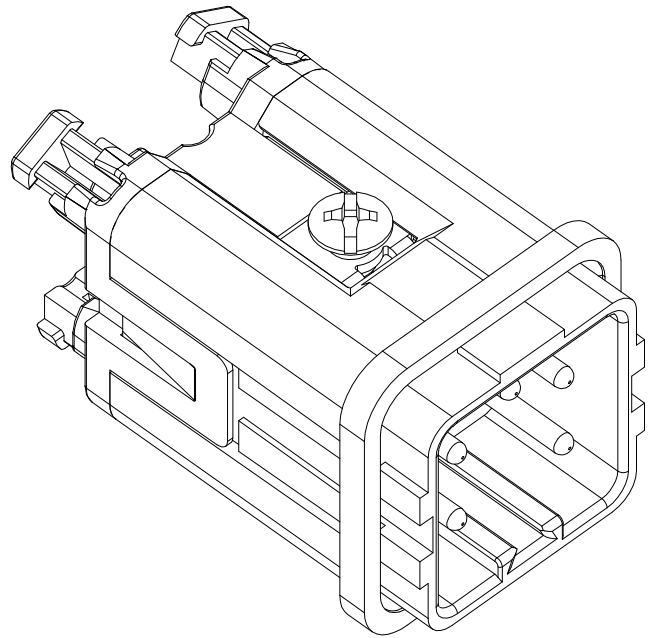
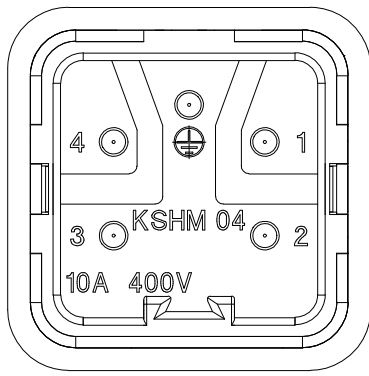


Diritti riservati All rights reserved



dimensions in mm  
Date 13/10/16  
Sign. C. Mainini

**CKSHM 04**  
**SQUICH male insert, spring, 04P 10A 400V**

Scale  
2:1

