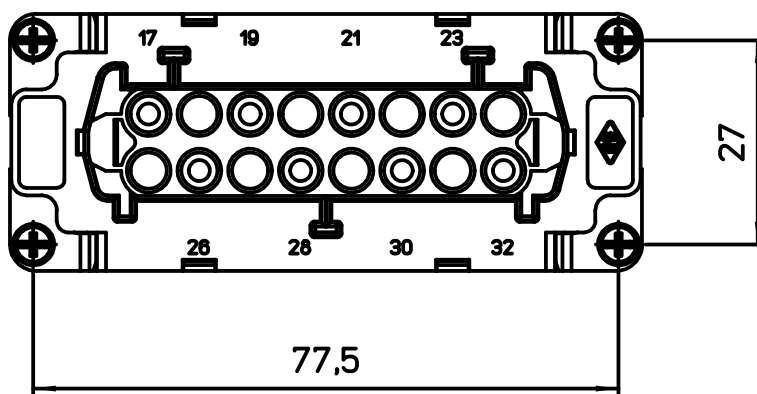
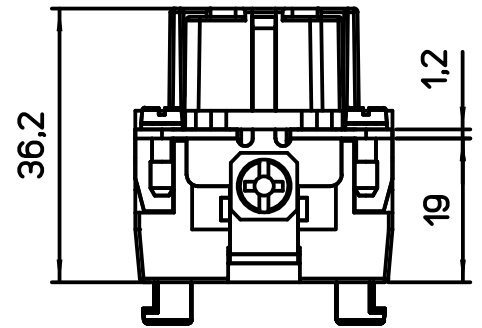
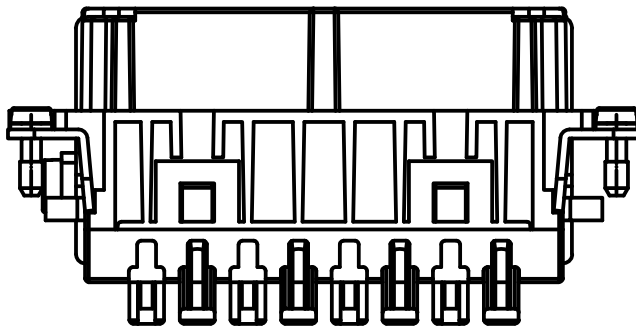
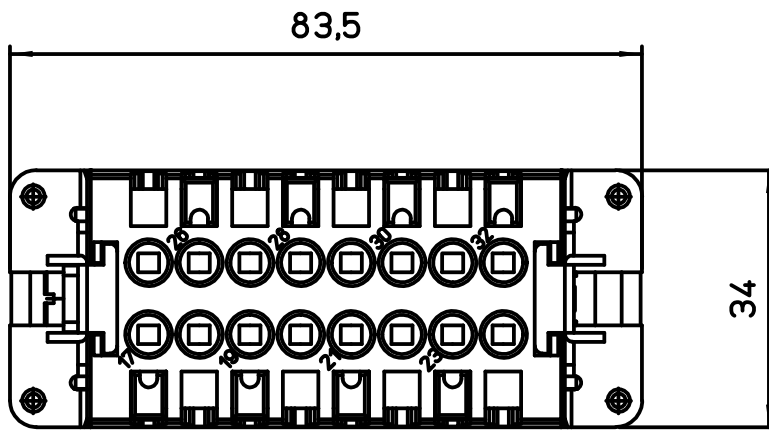



Diritti riservati All rights reserved



dimensions in mm	CMSHF 06 N SQUICH female insert, spring, 6P 16A 830V	Scale	
Date 07/06/16		1:1	
Sign. D. Bonino			