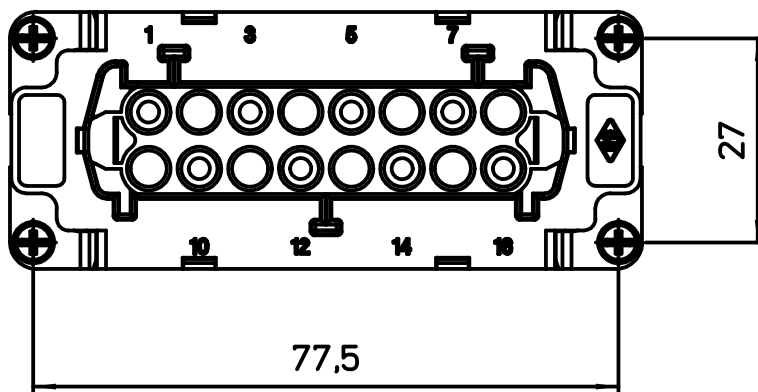
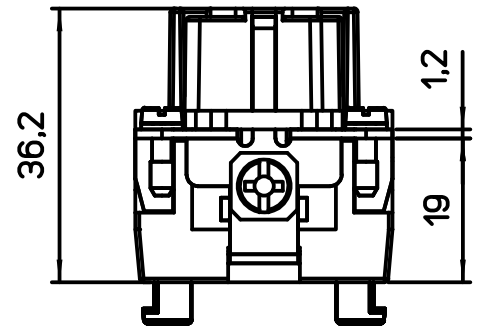
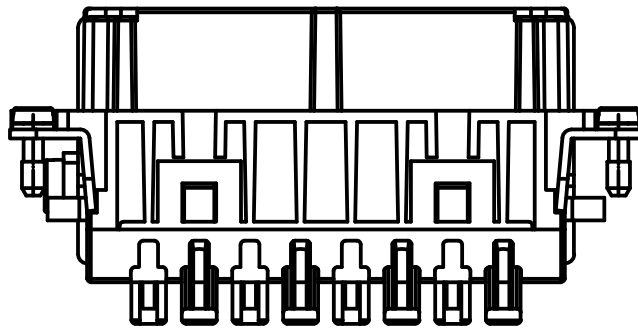
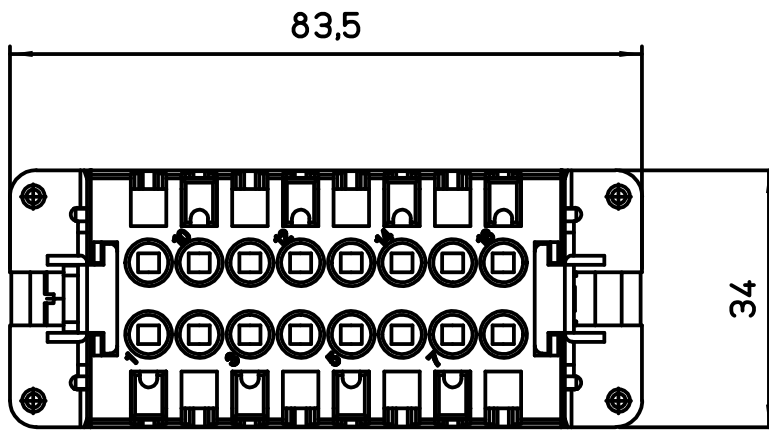



Diritti riservati All rights reserved



|                    |   |       |   |
|--------------------|---|-------|---|
|                    |   |       |   |
|                    |   |       |   |
|                    |   |       |   |
|                    |   |       |   |
| dimensions in mm   | CMSHF 06<br>SQUICH female insert, spring, 6P 16A 830V | Scale |  |
| Date 03/08/15      |   | 1:1   |   |
| Sign. M.Pezzimenti |   |       |   |